

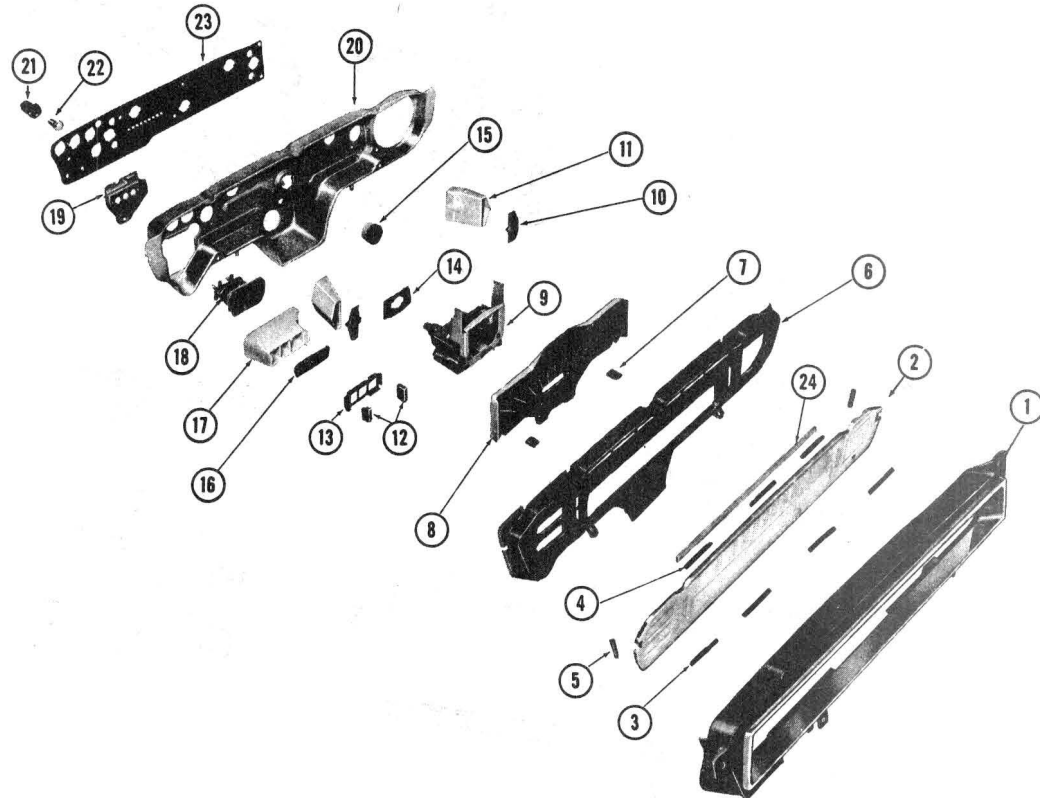
GROUP 9.000

BODY MOUNTING

AIR CONDITIONING

ILLUSTRATION INDEX

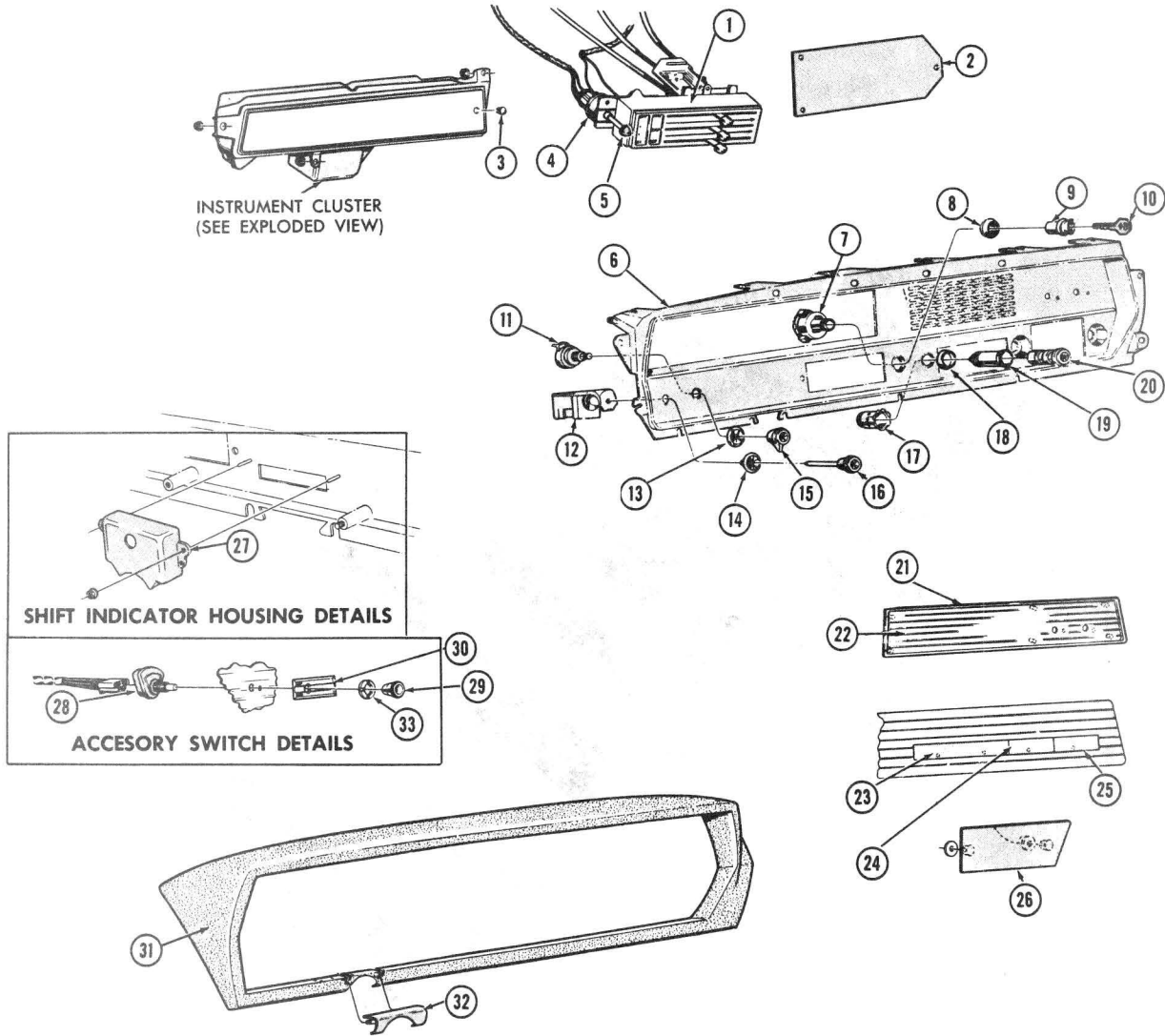
Description	Page
Instrument Panels	1-19
Air Conditioning Hoses	20-21
Manifold Details	22-23
Air Conditioning Compressor	24-27
Mounting	29-32
Controls	33-35
Wiring	36-37
Engine, Wiring, Relay	38-41
Hoses	42-43
Ducts	44-47
Defogger	48
Dash Panel Components	49
Hose Fitting Packages	50 & 51
Electrical and Components	50A
Wiring	52-53
Vent Parts	54
Defogger	55
Antenna Units	56-60
Frame Mounting Details	61-67



TYPICAL 1964 INSTRUMENT CLUSTER

Key	Description	Group
1	Bezel, Instrument Cluster Speedometer and Tell-Tale Opening	9.743
2	Dial Instrument, Cluster Face	9.745
3	Gasket, Instrument Cluster Figure Face—Bottom	9.745
4	Gasket, Instrument Cluster Figure Face—Bottom	9.745
5	Bumper Speedometer Dial	9.745
6	Retainer, Instrument Cluster Figure Face	9.745
7	Bumper, Speedometer Dial	9.745
8	Dial, Included in Speedometer Head—Item #9	N.S.S.
9	Head, Speedometer	9.761
10	Window, Turn Signal Flasher Tell-Tale	2.893
11	Housing, Instrument Cluster—Turn Signal	9.744
12	Bumper, Instrument Cluster Tell-Tale	9.744
N.L.—Not Listed		
N.S.S.—Not Serviced Separately		

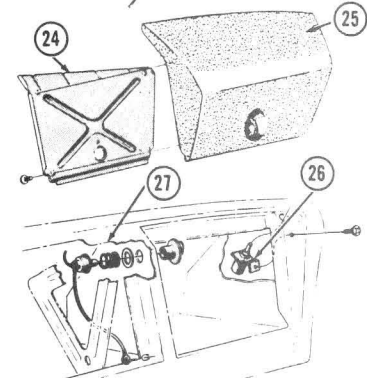
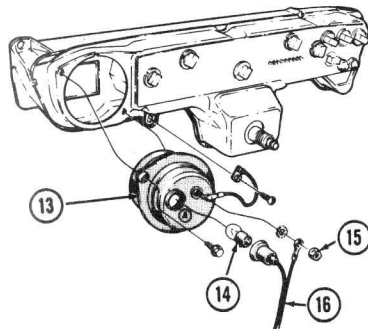
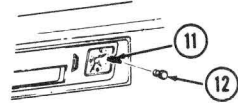
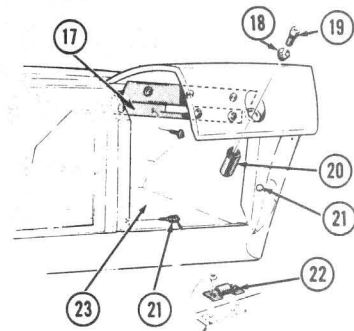
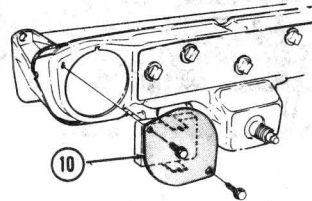
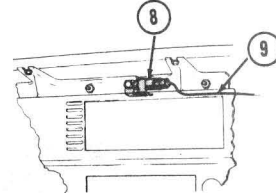
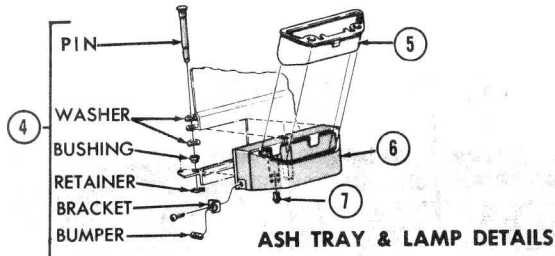
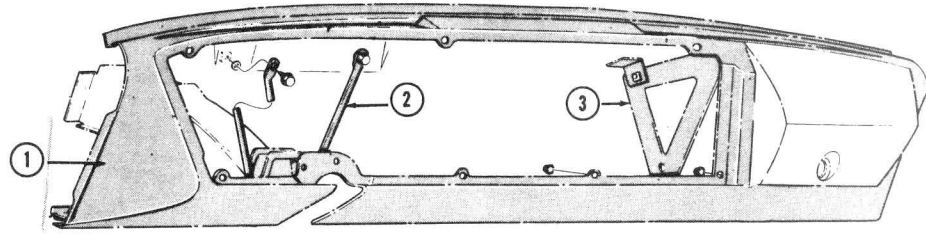
Key	Description	Group
13	Dial, Instrument Cluster Tell-Tale Window	9.744
14	Speedometer Gasket	N.L.
15	Lens and Sleeve Assembly, Instrument Cluster Tell-Tale—High Beam	9.744
16	Window, Instrument Cluster Tell-Tale	9.744
17	Housing, Instrument Cluster—Tell-Tale	9.744
18	Gauge, Gasoline /Dash Unit/	3.108
19	Fuel Gauge Mounting Plate	N.L.
20	Case Assembly, Instrument Cluster	9.743
21	Socket	N.L.
22	Bulb	N.L.
23	Printed Circuit	N.L.
24	Seal	N.L.



1964 — F-85 INSTRUMENT PANEL DETAILS

Key	Description	Group
1	Control, Heater	8.849
2	Cover, Radio Speaker Hole	10.256
3	Plug, Clock Stem Hole	9.772
4	Switch, Heater	8.852
5	Knob, Switch	8.852
6	Panel, Instrument Control	10.230
7	Switch, Ignition and Starting	2.189
8	Escutcheon, Ignition Switch	2.198
9	Cylinder, Ignition Lock	2.188
10	Key Blank, Ignition Lock	2.187
11	Switch, Windshield Wiper	10.163
12	Switch, Headlamp	2.485
13	Escutcheon, Windshield Wiper Control	10.166
14	Escutcheon, Light Switch	2.487
15	Knob Assembly, Windshield Wiper	10.164
16	Knob Assembly, Light Switch	2.486
17	Retainer, Cigarette Lighter	9.709

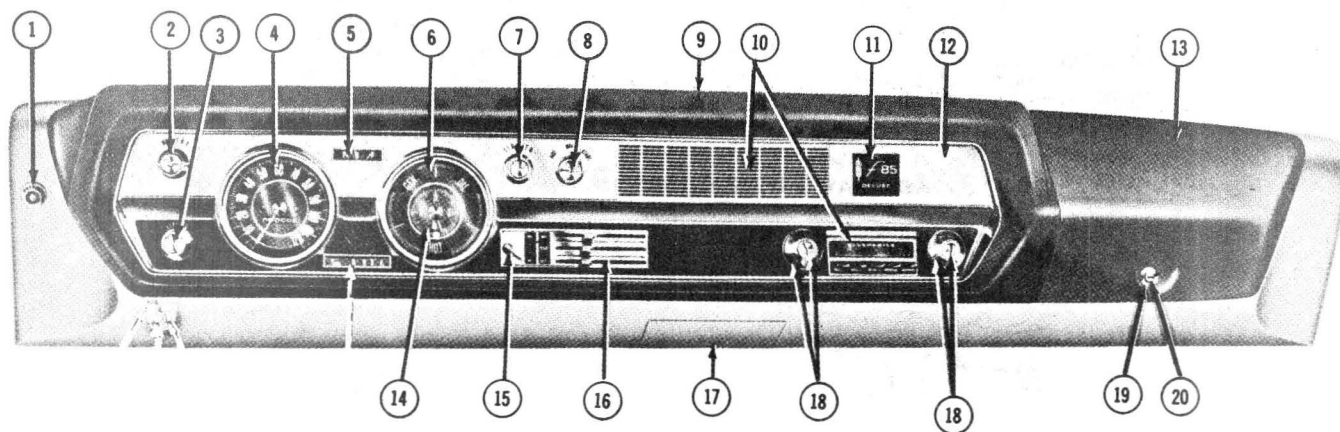
Key	Description	Group
18	Escutcheon, Cigarette Lighter	9.709
19	Case, Cigar Lighter	9.709
20	Element, Cigarette Lighter	9.709
21	Bezel, Instrument Panel Grille	10.255
22	Grille, Instrument Panel	10.255
23	Plate, Instrument Panel Name	10.254
24	Escutcheon, Tail Gate Window Switch	12.195
25	Escutcheon, Power Antenna	See Antenna Charts
26	Cover, Radio Opening	10.256
27	Housing, Shift Indicator	4.020
28	Switch, Folding Top	14.483
29	Knob, Power Top Switch	14.483
30	Escutcheon, Power Top Switch	14.483
31-A	Pad, Instrument Panel Safety—Deluxe	14.655
31-B	Panel, Instrument Upper Trim—Standard	14.655
32	Cover, Instrument Panel Steering Column	6.760
33	Nut, Folding Top Control Switch	12.483



1964 ASH TRAY, GLOVE BOX & CLOCK DETAILS

Key	Description	Group
1	Panel, Instrument	10.230
2	Support, Steering Column	9.655
3	Support Assembly, Radio Side	12.009
4	Door, Ash Tray (Parts of Door)	12.009
5	Receiver, Ash Tray	12.009
6	Door, Ash Tray (Door Less Parts)	12.012
7	Detent, Ash Tray Door	12.012
8	Lamp Pkg., Ash Tray	9.772
9	Wire and Socket, Ash Tray Lamp	9.772
10	Cover, Clock Hole	9.772
11	Sleeve, Electric Clock Adjusting Knob	9.772
12	Knob, Electric Clock Set	9.772
13	Clock Assembly, Electric	S.S.
14	Bulb	

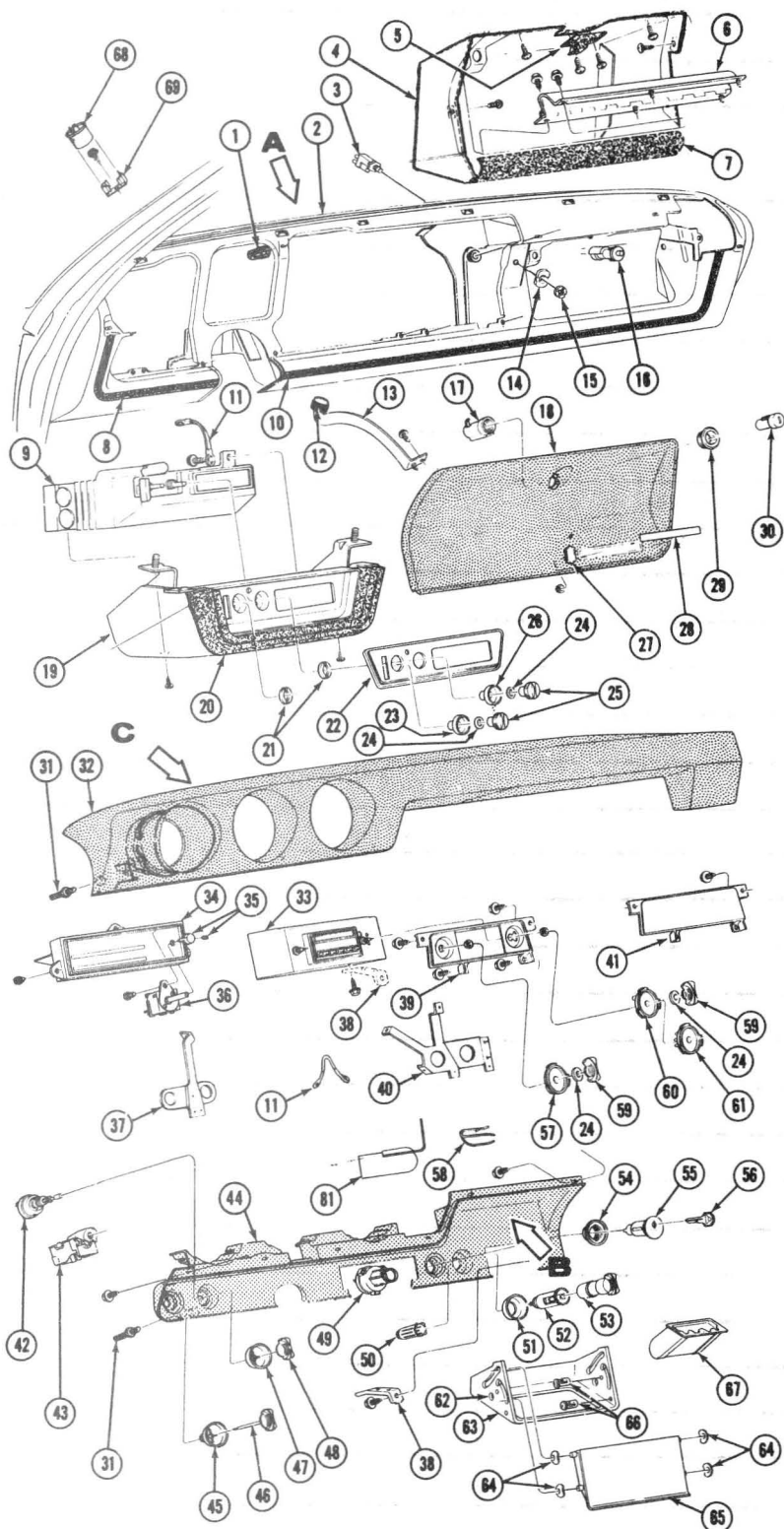
Key	Description	Group
15	Nut, Electric Clock Terminal	10.266
16	Wire and Socket, Electric Clock	10.266
17	Hinge, Glove Box Door	10.262
18	Escutcheon, Glove Box Door Lock Cylinder	10.267
19	Cylinder, Instrument Panel and Console Compartment Door Lock	10.266
20	Knob, Instrument Panel Compartment Door	10.266
21	Bumper, Glove Box Door	10.263
22	Striker, Glove Box Door Lock	10.268
23	Box, Instrument Panel Glove	10.260
24	Panel, Glove Box Door Inner	10.261
25	Door, Instrument Panel Glove Box	10.261
26	Switch Assembly, Glove Box Lamp	10.275
27	Lamp Assembly, Glove Box	10.275



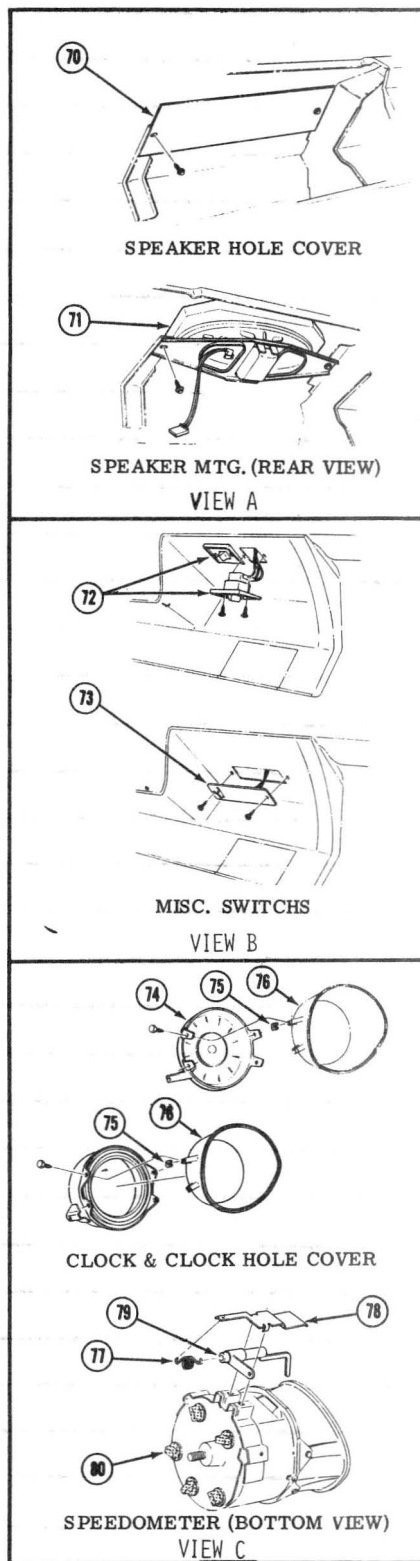
1966 INSTRUMENT PANEL

Key	Description	Group
1	Lamp Package, Parking Brake Signal	4.589
2	Knob, Windshield Wiper	10.164
3	Knob Assembly, Light Switch ..	2.486
4	Head, Speedometer	9.761
5	Guage, Gasoline/Dash Unit/	3.108
6	Plate, Instrument Cluster Printed Circuit	9.744
7	Escutcheon, Cigarette Lighter	9.709
8	Cylinder, Ignition Lock	2.188
9	Pad, Instrument Panel Safety	14.655
10	Radio Package	9.650

Key	Description	Group
11	Plate, Instrument Panel Name	10.254
12	Housing, Instrument Cluster	9.743
13	Door, Instrument Panel Glove Box	10.261
14	Clock Assembly, Electric	9.772
15	Knob, Heater Control	8.849
16	Control, Heater	8.849
17	Receiver, Ash Tray	12.009
18	Knob, Radio.....	Part of Radio Pkgs.
19	Escutcheon, Glove Box Door Lock Knob	10.267
20	Cylinder, Instrument Panel Compartment Door Lock	10.266

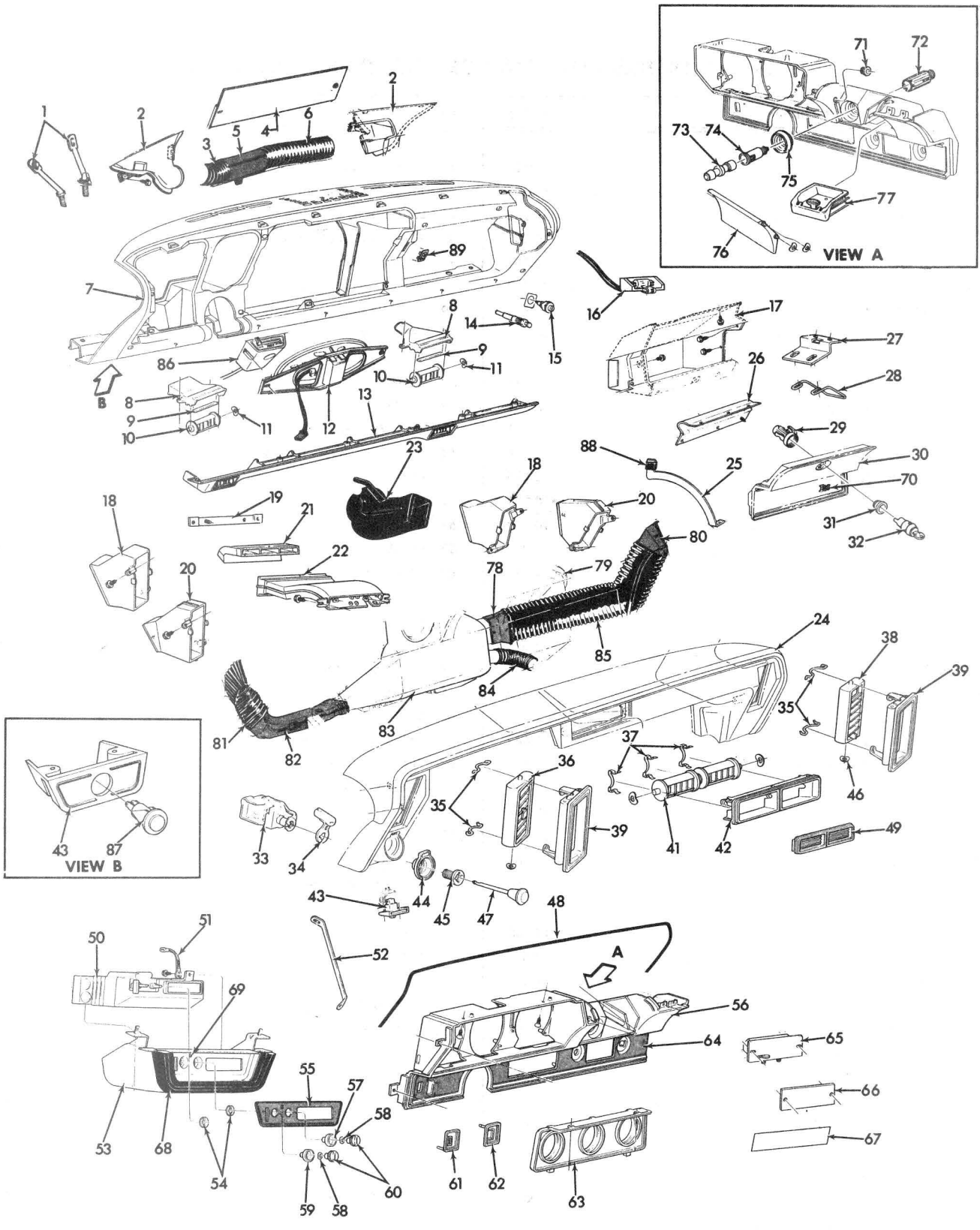


1968 F-85 INSTRUMENT PANEL DETAILS (TYPICAL OF 1969)



1968 F-85 INSTRUMENT PANEL DETAILS (TYPICAL OF 1969)

Key	Description	Group	Key	Description	Group
1	CLIP	N.L.	43	SWITCH, Light	2.485
2	PANEL, Instrument	10.230	44	PANEL, Instrument Control	10.252
3	SWITCH	10.275	45	ESCUTCHEON	2.487
4	BOX, Glove	10.260	46	KNOB ASSEMBLY, Light Switch	2.486
5	STRIKER	10.268	47	ESCUTCHEON	10.166
6	HINGE	10.262	48	KNOB, W/S Wiper	10.164
7	REINFORCEMENT	N.L.	49	SWITCH, Ignition	2.188
8	APPLIQUE (L.H.—442 only)	10.252	50	RETAINER	9.709
9	PLAYER, Tape	9.670	51	ESCUTCHEON	9.709
10	APPLIQUE (R.H.—442 only)	10.252	52	CASE	9.709
11	STRAP, Ground (6½")	2.341	53	KNOB	9.709
12	BUMPER	10.268	54	ESCUTCHEON	2.198
13	STOP	10.268	55	CYLINDER (Less Tumblers)	2.188
14	ESCUTCHEON	10.275	56	KEY	2.187
15	NUT	10.275	57	KNOB (Tone)	9.649
16	SWITCH, Lamp	10.275	58	SPRING	12.009
17	CASE	10.266	59	KNOB	9.649
18	PANEL, Door Inner	10.261	60	KNOB (Dummy)	9.649
	DOOR	10.261	61	CONTROL, Fader	9.649
19	CASE, Player	9.670	62	LENS	12.012
20	PAD	9.670	63	HOUSING	12.011
21	NUT	9.670	64	WASHER (Wave)	12.009
22	APPLIQUE	9.670	65	DOOR	12.009
23	KNOB, Tone	9.670	66	CLIP	12.009
24	WASHER (Felt)	9.649	67	RECEIVER, Ash Tray	12.009
25	KNOB, Balance & Volume	9.670	68	FLASHER, T/S	2.892
26	KNOB, Dummy	9.670		FLASHER, Flarestat	2.575
27	EMBLEM	10.254	69	CLIP	2.892
28	APPLIQUE, Name Plate	10.254	70	COVER	10.256
29	ESCUTCHEON	10.267	71	SPEAKER (Part of 33)	N.S.S.
30	LOCK, Cylinder	10.266	72	SWITCH, Antenna	9.647
31	STUD	10.230		SWITCH, Defogger	9.778
32	PAD ASSEMBLY	14.655		SWITCH, Rear Window	12.195
33	RADIO	9.650		SWITCH, Power Top	14.483
34	CONTROL (Heater)	8.849	73	LAMP, Map	10.275
	CONTROL (C.A.C.)	9.273	74	COVER, Clock Hole	9.772
35	KNOB, Fan Speed	8.852	75	CLIP, Bezel Retg.	10.252
36	SWITCH (Heater)	8.852	76	BEZEL	10.252
	SWITCH (C.A.C.)	9.275	77	SPRING	4.022
37	STRAP, Cluster (L.H.)	9.735	78	COVER	4.022
38	BRACKET	9.655	79	NEEDLE	4.020
39	COVER,	10.256	80	SOCKET	9.744
40	STRAP, Cluster (R.H.)	9.735		BULB	9.744
41	COVER, Radio Hole	N.L.	81	HOUSING, Lamp	12.012
42	SWITCH, w/s Wiper	10.163			

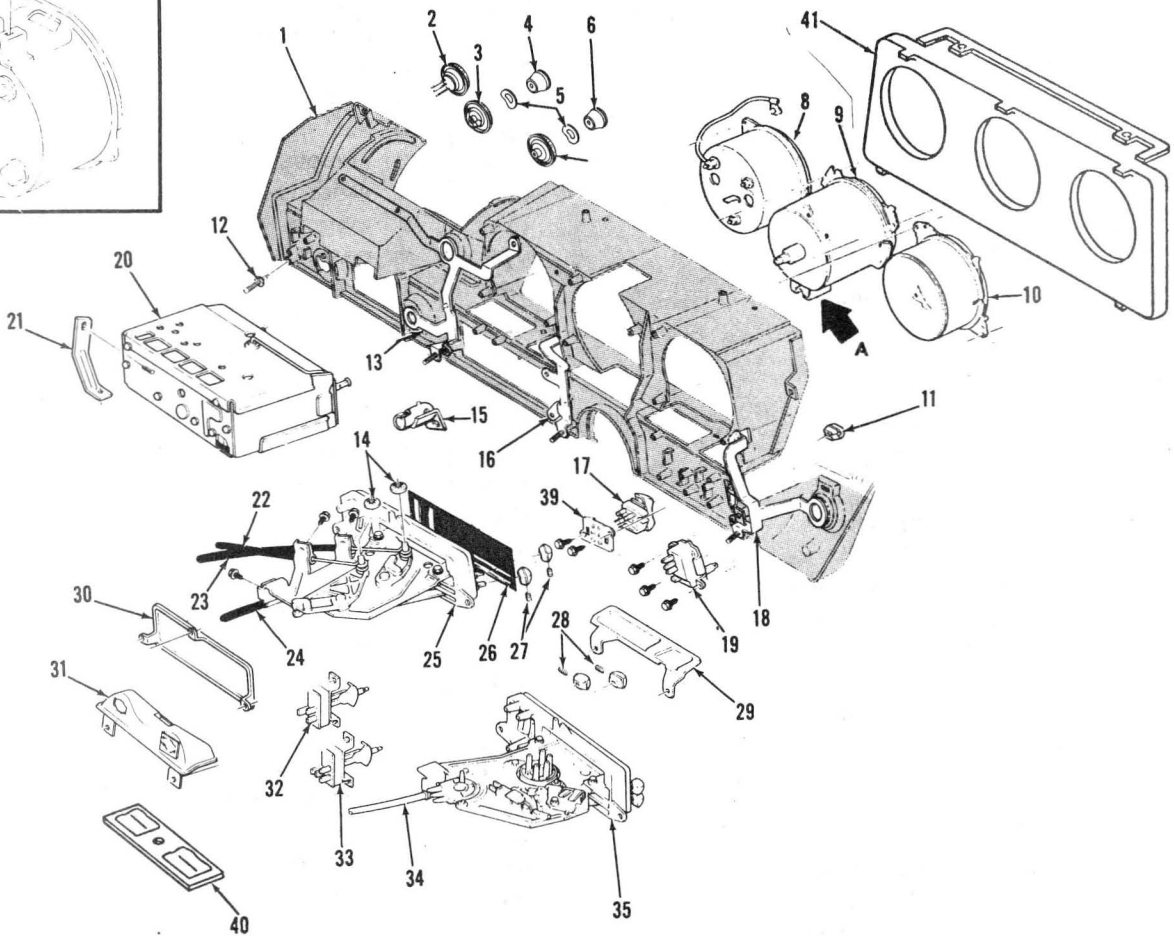
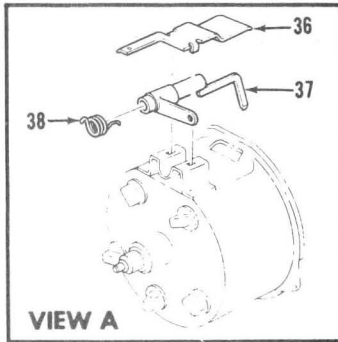


1970 F85 INSTRUMENT CLUSTER & PANEL DETAILS

1970 F-85 INSTRUMENT CLUSTER & PANEL DETAILS

Key	Description	Group
1	SUPPORT, Steering Column	6.760
2	OUTLET, Defroster	9.779
3	HOSE, Defroster (L.H.)	9.779
4	COVER, Speaker Hole	10.256
5	ADAPTER, Defroster	9.779
6	HOSE, Defroster (R.H.)	9.779
7	PANEL, Instrument	10.230
8	HOUSING	9.264
9	SEAL	9.264
10	DEFLECTOR	9.264
11	WASHER	9.615
12	SPEAKER	9.650
13	VALANCE	10.252
14	SWITCH, Glove Box Lamp	10.275
15	SWITCH, Trunk Lid	12.243
16	LAMP	10.275
17	BOX, Glove	10.260
18	ADAPTER, Ventilation	9.789
19	BRACKET	10.256
20	ADAPTER, C.A.C.	9.257
21	DUCT, Centre Outlet (Heater)	9.257
22	DUCT, Centre	9.257
23	DUCT, Upper Level Ventilation	9.789
24	PAD, Instrument Panel Safety	14.655
25	STOP, Door	10.268
26	HINGE	10.262
27	SPACER, Glove Box Latch	10.268
28	STRIKER, Door	10.268
29	CASE	10.266
30	PANEL, Door Inner	10.261
31	ESCUTCHEON	10.267
32	KNOB & CYLINDER ASSEMBLY	N.S.S.
33	SWITCH, Headlamp	2.485
34	HOUSING, Light Switch Lamp	2.487
35	RETAINER	9.264
36	DEFLECTOR, C.A.C. (R.H. & L.H.)	9.264
37	RETAINER	9.264
38	DEFLECTOR, Ventilation (R.H. & L.H.)	9.789
39	HOUSING, End Outlet	9.264
40	WASHER	9.649
41	DEFLECTOR, Centre Outlet (C.A.C.)	9.264
42	HOUSING, Centre Outlet (C.A.C.)	9.257
43	HOUSING, Night Watch Switch	2.486
44	ESCUTCHEON, Light Switch	2.487
45	NUT, Light Switch Escutcheon	2.487

Key	Description	Group
46	SPRING	12.009
47	KNOB ASSEMBLY, Instrument Panel Light Switch Control	2.486
43	MOULDING, Instrument Panel Pad Trim	14.655
49	COVER, Centre Outlet Vent.	10.256
50	PLAYER, Tape	9.670
51	STRAP, Tape Player Ground	2.341
52	BRACE, Tape Player	9.670
53	CASE	9.670
54	NUT	9.670
55	APPLIQUE, Case	9.670
56	PANEL, Instrument Control	10.252
57	KNOB, Dummy	9.670
58	WASHER	9.649
59	KNOB, Tone	9.670
60	KNOB, Balance Volume	9.670
61	ESCUTCHEON, W/S Wiper	10.166
62	ESCUTCHEON, Power Top Switch	14.483
63	PANEL, Instrument Cluster Trim	10.252
64	APPLIQUE, Control Panel	10.252
65	MAP LAMP	10.275
66	COVER	10.275
67	COVER, Radio Hole	10.256
68	PAD	9.670
69	LENS, Tell-Tale	9.670
70	SCRIPT	10.254
71	LENS, Lamp Housing	12.012
72	RETAINER	9.709
73	KNOB, w/Element	9.709
74	CASE, Cigar Lighter	9.709
75	ESCUTCHEON, Cigar Lighter	9.709
76	DOOR, Ash Tray	12.009
77	RECEIVER, Ash Tray	12.009
78	CONNECTOR, Hose to Manifold	9.257
79	HEATER ASSEMBLY	8.845
80	CONNECTOR, Hose to Adapter	9.264
81	HOSE	9.257
82	DUCT, Hose to Manifold	9.257
83	MANIFOLD ASSEMBLY	9.263
84	HOSE	9.257
85	HOSE	9.257
86	CONTROL, Hood Lock	8.080
87	SWITCH, Night Watch	12.243
88	BUMPER, Door Stop	10.268
89	GROMMET, Door Stop	10.268

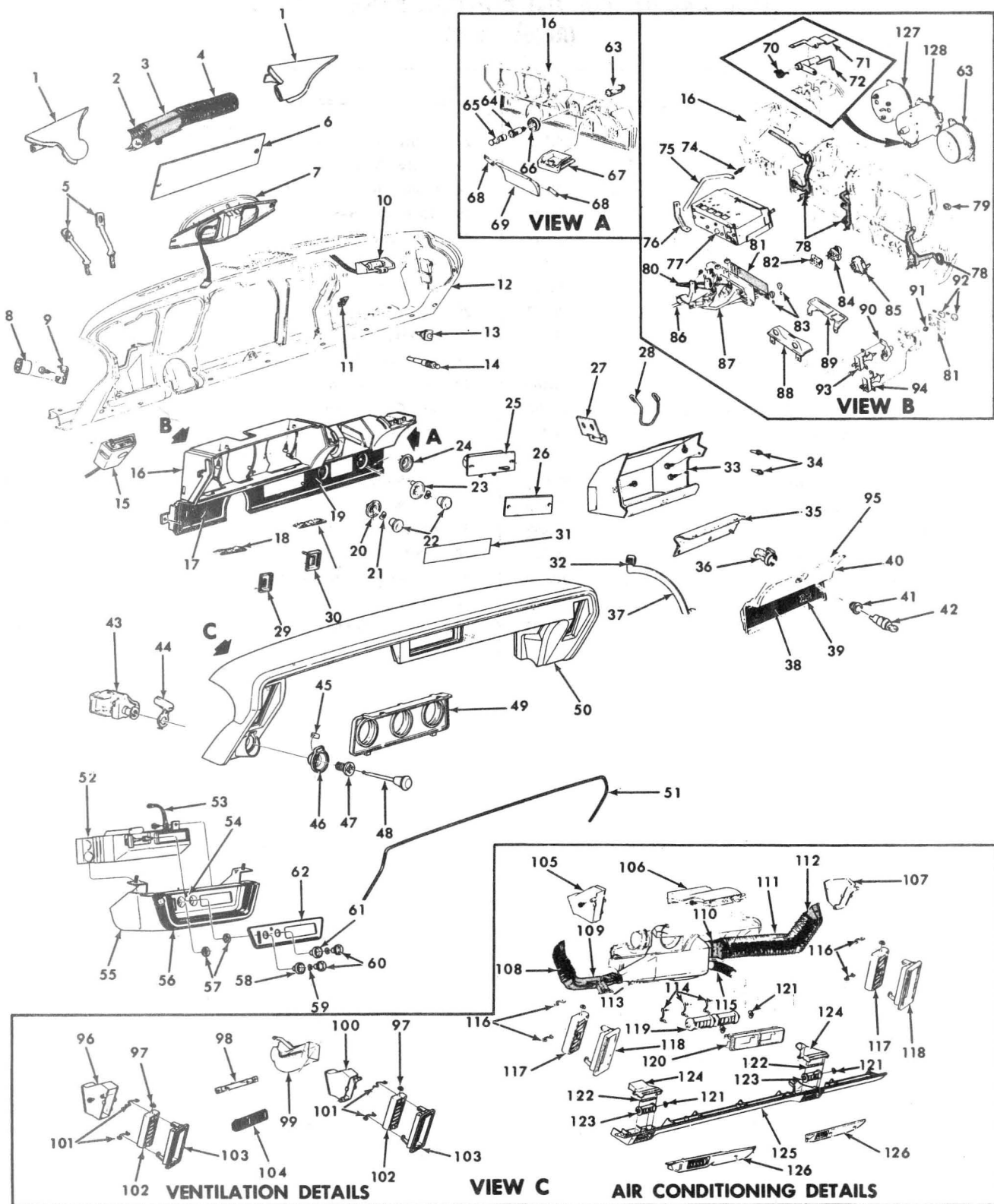


**1970 F85 INSTRUMENT CONTROL PANEL DETAILS
 (REAR VIEW)**

**1970 F-85 INSTRUMENT CONTROL PANEL DETAILS
(REAR VIEW)**

Key	Description	Group
1	PANEL, Instrument Control	10.252
2	KNOB, Fader Control	9.649
3	KNOB, Dummy	9.649
4	KNOB	9.649
5	WASHER, Felt	9.649
6	KNOB	9.649
7	KNOB, Tone	9.649
8	CLOCK	9.772
9	TACHOMETER	9.750
10	FUEL GAUGE & TELL-TALE	3.108
11	KNOB, W/S Wiper	10.164
12	STUD	10.230
13	STRAP, Lighter Ground	9.735
14	NUT	8.849
15	HOUSING, Ash Tray Lamp	12.012
16	STRAP, Heater Ground	9.735
17	SWITCH, Folding Top	14.483
18	STRAP, Light Switch Ground	9.735
19	SWITCH, W/S Wiper	10.163
20	RADIO	9.650
21	BRACKET	9.655

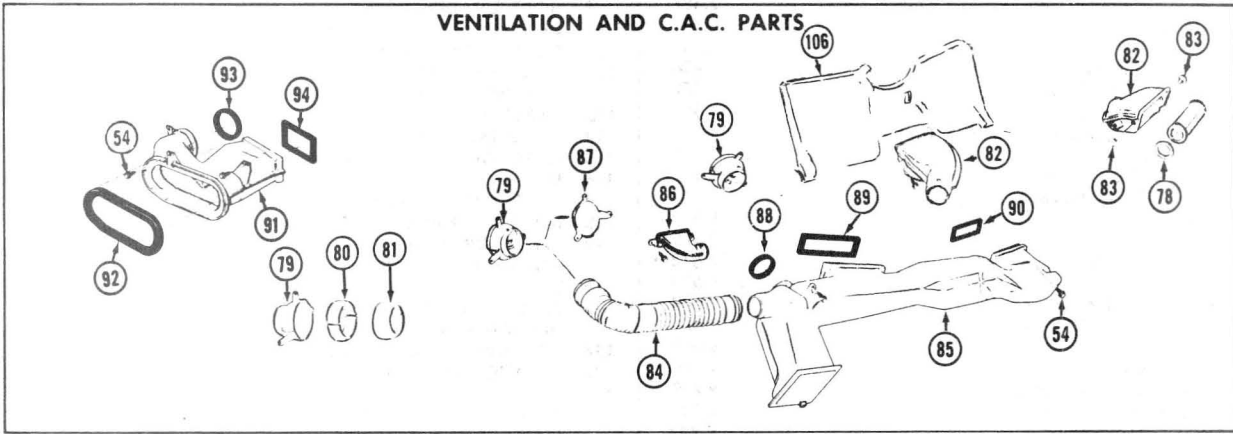
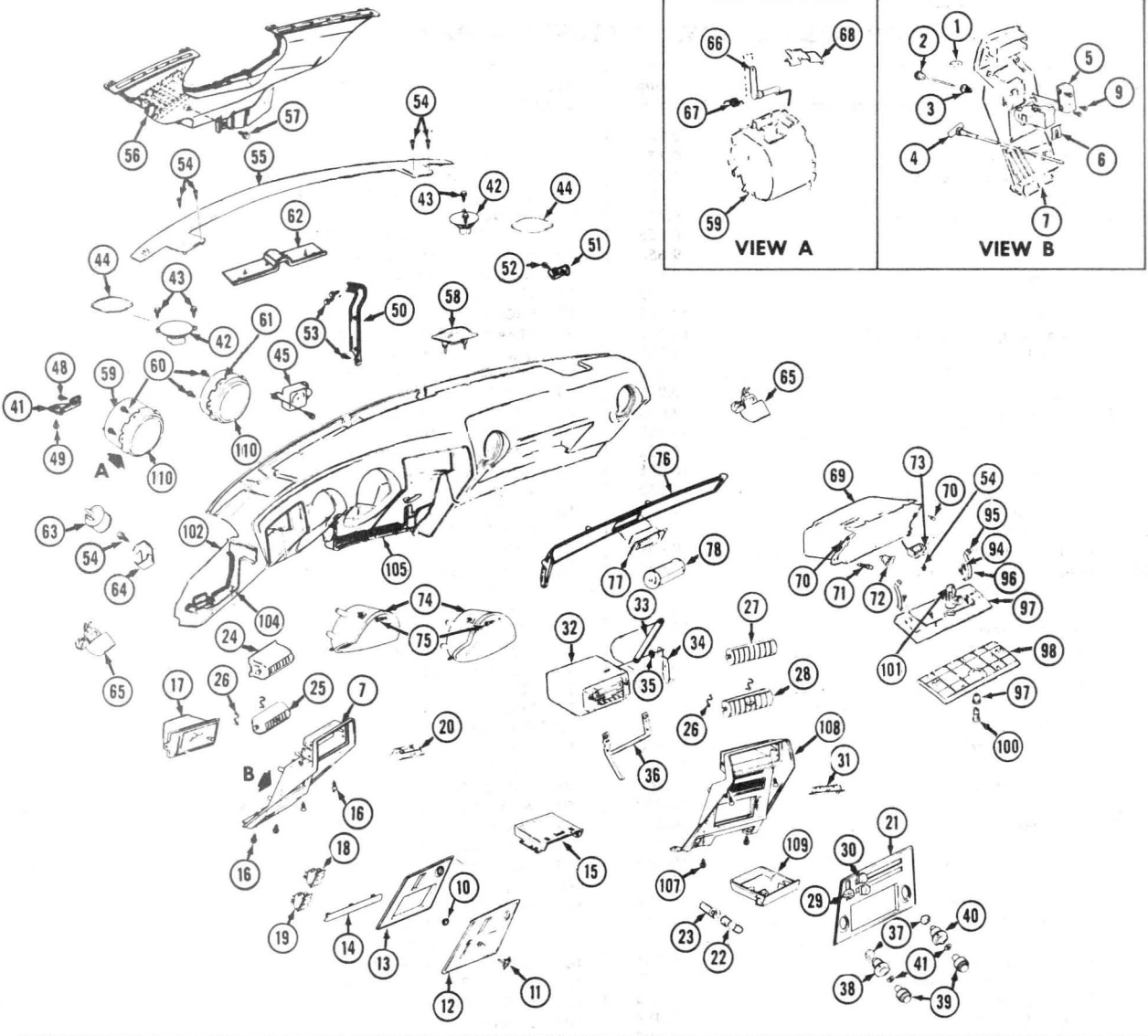
Key	Description	Group
22	CABLE, Heater Air Valve	8.849
23	CABLE, Defroster	8.849
24	CABLE, Temperature Control	8.849
25	CONTROL, Heater	8.849
26	APPLIQUE, Heater or C.A.C. Control	10.252
27	KNOB, Heater Control	8.852
28	KNOB, Air Conditioning Control	8.852
29	COVER, Light Hole	10.256
30	COVER, Heater Delete	N.L.
31	HOUSING ASSEMBLY	10.261
32	SWITCH, Defogger	9.778
33	SWITCH, Heater	8.852
	SWITCH, C.A.C.	9.275
34	CABLE, Temperature Control	8.849
35	CONTROL, C.A.C.	9.273
36	COVER	4.022
37	NEEDLE, Shift Indicator	4.020
38	SPRING	4.022
39	RETAINER, Plate Switch	14.483
40	FILTER, Flood Light	10.275
41	PANEL, Instrument Cluster Trim	10.252



1971-72 F85 INSTRUMENT CLUSTER AND PANEL DETAILS

1971-72 F-85 INSTRUMENT CLUSTER AND PANEL DETAILS

Key	Description	Group	Key	Description	Group
1	OUTLET, Defroster	9.779	68	SPRING, Ash Tray Door	12.009
2	HOSE, Defroster (L.H.)	9.779	69	DOOR, Ash Tray	12.009
3	ADAPTER, Defroster Outlet on Case	9.779	70	SPRING, Indicator Needle (4 Coils)	4.022
4	HOSE, Defroster (R.H.)	9.779	71	COVER, Indicator Needle	4.022
5	SUPPORT, Steering Column	6.760	72	NEEDLE, Shift Indicator	4.020
6	COVER, Speaker Hole	10.256	73	GAUGE (Complete-Fuel-Temp.-Oil)	1.148
7	SPEAKER, Front	9.650	74	STUD, Control Panel to Instrument Panel	10.230
8	FLASHER, Turn Signal	2.892	75	HANGER (Plastic - 12" Long)	9.655
9	CLIP, Flasher Mounting	2.892	76	BRACKET, Support	9.655
10	LAMP, Glove Box	10.275	77	RADIO	9.650
11	GROMMET, Door Stop (Black Plastic)	10.268	78	STRAP, Lighter Ground (R.H.)	9.735
12	PANEL, Instrument	10.230		STRAP, Heater Ground (Centre)	9.735
13	SWITCH, Electric Trunk Latch	12.243		STRAP, Light Switch (L.H.)	9.735
14	SWITCH, Glove Box Lamp	10.275	79	KNOB, Wiper	10.164
15	CONTROL, Lock in Car	8.080	80	CABLE, Air Valve	8.849
16	PANEL, Instrument Control	10.252	81	APPLIQUE, Heater Control	10.252
17	APPLIQUE, Control Panel	10.252		APPLIQUE, Air Conditioning	10.252
18	FILTER, Flood Light	10.275	82	RETAINER PLATE, Switch Mounting (Plastic)	14.483
19	APPLIQUE, Control Panel	10.252	83	KNOB, Heater Lever	8.852
20	KNOB, Tone Control	9.649	84	SWITCH, Cruise Control	3.887
21	WASHER, Control Knob Wave	9.649		SWITCH, Power Top and Rear Window	14.483
22	KNOB, Tune and Volume	9.649	85	SWITCH, Wiper	10.163
23	KNOB, Dummy	9.649	86	CABLE, Temperature Control	8.849
24	KNOB, Fader and Balance	9.649	87	CONTROL, Heater	8.849
25	LAMP, Map	10.275		CONTROL, Air Conditioning	9.273
26	COVER, Map Lamp Hole	10.275	88	HOUSING, Flood Light	10.275
27	STRAP, Glove Box Striker	10.268	89	COVER, Flood Light (6" Black Plastic)	10.256
28	STRIKER, Glove Box Lock	10.268	90	HOUSING, Lamp	9.778
29	ESCUTCHEON	10.166	91	LENS, Tell-Tale	9.778
30	ESCUTCHEON	2.447	92	KNOB	8.852
	ESCUTCHEON, Window Switch	12.195	93	SWITCH, Rear Window Defogger	9.778
	ESCUTCHEON, Top Switch	14.483	94	SWITCH, Heater Fan Control	8.852
31	COVER, Radio Hole	10.256		SWITCH, C.A.C. Fan Control	9.275
32	BUMPER, Door Stop (Rubber)	10.268	95	PANEL, Door Inner	10.261
33	BOX, Glove	10.260	96	ADAPTER, End Outlet (Plastic) (L.H.)	9.789
34	BUMPER, Glove Box Door	10.263	97	WASHER	9.649
35	HINGE, Door	10.262	98	BRACKET, Centre Outlet Cover	10.256
36	CASE, Glove Box Door (Less Knob and Cylinder)	10.266	99	DUCT, Upper Vent	9.789
37	STOP, Door	10.268	100	ADAPTER, End Outlet (Plastic) (R.H.)	9.789
38	APPLIQUE, Glove Box Door	10.252	101	RETAINER, Deflector (Spring Wire)	9.264
39	SCRIPT, Glove Box Door	10.254	102	DEFLECTOR, Upper Vent	9.789
40	DOOR, Glove Box Outer	10.261	103	HOUSING, End Outlet Deflector	9.264
41	ESCUTCHEON, Glove Box Door Lock	10.267	104	COVER, Centre Outlet Hole	10.256
42	KNOB & CYLINDER ASSEMBLY	N.S.S.	105	ADAPTER, End Outlet - C.A.C. (L.H.)	9.257
43	SWITCH, Light Control	2.485	106	DUCT, Air Outlet Upper	9.257
44	HOUSING, Light Switch Control	2.487	107	ADAPTER, End Outlet - C.A.C. (R.H.)	9.257
45	LENS	2.487	108	HOSE, L.H. Duct to End Outlet (17")	9.257
46	ESCUTCHEON	2.487	109	DUCT, Manifold to L.H. Hose End Outlet	9.257
47	NUT	2.487	110	CONNECTOR, Manifold Hose	9.257
48	CONTROL, Light Switch	2.486	111	HOSE, Manifold to End Outlet	9.257
49	PANEL, Instrument Trim	10.252	112	CONNECTOR, Hose (Black)	9.257
50	PAD, Instrument Panel	14.655	113	MANIFOLD	9.263
51	MOULDING, Instrument Panel Pad Trim	14.655	114	RETAINER, Centre Deflector	9.264
52	PLAYER, Tape	9.670	115	HOSE, Outlet to Manifold	9.257
53	STRAP, Tape Player Ground	2.341	116	RETAINER, End Outlet Deflector	9.264
54	LENS, Tape Player (9.778)	9.670	117	DEFLECTOR, End Outlet	9.264
55	CASE, Player	9.670	118	HOUSING, End Outlet Deflector	9.264
56	PAD, Case	9.670	119	DEFLECTOR, Centre Outlet	9.264
57	NUT, Player to Case	9.672	120	HOUSING, Centre Duct	9.257
58	KNOB, Tone	9.670	121	WASHER	9.649
59	WASHER, Control Knob Wave	9.649	122	SEAL, Lower Outlet Deflector	9.264
60	KNOB, Balance and Volume	9.670	123	DEFLECTOR, Lower Outlet	9.264
61	KNOB, Dummy	9.670	124	HOUSING, Lower Outlet Deflector	9.264
62	APPLIQUE, Case	9.670	125	VALANCE, Lower (Black Plastic - 45")	10.252
63	RETAINER, Cigarette Lighter	9.709	126	VALANCE, Lower (w/Tape Player - Plastic)	10.252
64	KNOB, Cigarette Lighter	9.709	127	TACHOMETER & CLOCK (Complete)	9.750
65	CASE, Cigarette Lighter	9.709		CLOCK	9.772
66	ESCUTCHEON	9.709	128	HEAD, Speedometer	9.761
67	RECEIVER, Ash Tray	12.009			



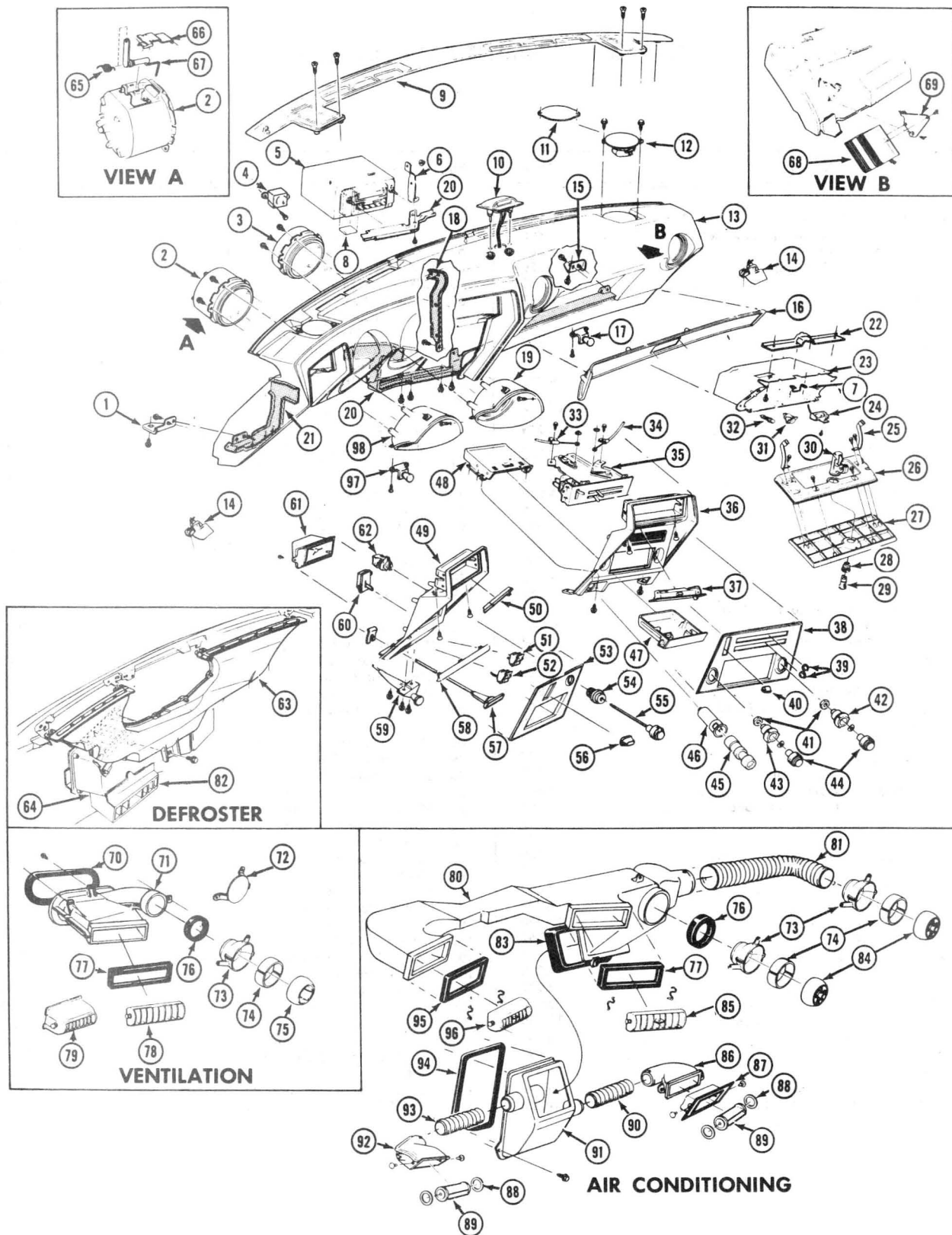
1973 F85 INSTRUMENT PANEL DETAILS



1973 F-85 INSTRUMENT PANEL DETAILS

Key	Description	Group
1	KNOB, Windshield Wiper	10.164
2	KNOB ASSEMBLY, Instrument Pane Light Switch Control	2.486
3	ESCUTCHEON, Light Switch	2.487
4	CABLE, Parking Brake Rear	4.779
5	SWITCH, Wiper	10.163
6	RETAINER	4.785
7	PANEL, Control	10.252
8	SWITCH, Headlamp	2.485
9	SCREW	8.977
10	NUT	N.L.
11	EMBLEM	9.772
12	APPLIQUE	10.252
13	APPLIQUE	10.252
14	NAMEPLATE	10.254
15	HOUSING, Ash Tray	12.011
16	SCREW (8-18 x 5/8)	8.977
17	CLOCK	9.772
18	SWITCH, Rear Defogger	9.778
19	SWITCH, Cruise Control	3.887
20	LAMP	10.275
21	APPLIQUE	10.252
22	KNOB, Cigar Lighter	9.709
23	CASE (Front)	9.709
24	COVER, Outlet L.H.	10.256
25	DEFLECTOR, Outlet in Control Panel	9.264
26	RETAINER, Deflector to Housing	9.264
27	DEFLECTOR, Centre Outlet	9.264
28	DEFLECTOR, Outlet	9.264
29	KNOB, Blower Switch	8.852
30	KNOB, Heater Control	8.852
31	LAMP, Map & Control Panel Flood	10.275
32	RECEIVER, Radio	9.650
33	BRACKET	9.655
34	BRACKET, Radio Side	9.655
35	SPRING NUT, Control Cable	9.787
36	SHIELD, Radio Frequency	9.663
37	NUT, Receiver to Instrument Panel	9.667
38	KNOB, Tone Control	9.649
39	KNOB, Tune & Volume	9.649
40	KNOB, Balance Control and Dummy	9.649
41	WASHER, Control Knob Wave	9.649
42	SPEAKER, Front	9.650
43	SCREW (8-18 x 5/8)	8.977
44	COVER, Speaker Hole	10.256
45	Buzzer, Indicator	9.762
46	SCREW (8-18 x 5/8)	8.977
47	BRACKET, Tie Bar	10.230
48	SCREW	8.977
49	SCREW (1/4-14 x 3/4)	8.977
50	SUPPORT, Instrument Panel Centre	10.230
51	BRACKET, Tie Bar	10.230
52	SCREW	8.977
53	SCREW (1/4-14 x 3/4)	8.977
54	SCREW (8-18 x 5/8)	8.977
55	COVER, Instrument Panel Upper	10.256

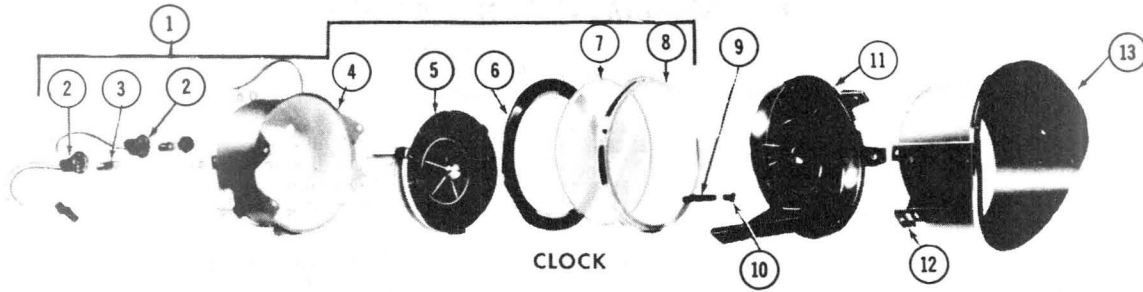
Key	Description	Group
56	NOZZLE	9.779
57	SCREW (10-16 x 3/4)	8.977
53	HOUSING & BASE, Seat Belt	9.765
59	HEAD, Speedometer	9.761
60	SCREW (8-18 x 5/8)	8.977
61	GAUGE, Fuel	3.108
62	REINFORCEMENT, Door Striker	10.268
63	FLASHER, Turn Signal	2.892
64	CLIP, Flasher Mounting	2.892
65	LAMP, Courtesy	2.776
66	NEEDLE, Shift Indicator	4.020
67	SPRING, Indicator Needle	4.022
63	COVER, Shift Indicator Needle	4.020
69	BOX, Glove	10.260
70	BUMPER, Glove Box Door	10.263
71	SWITCH, Glove Box Door Light	10.275
72	SWITCH, Trunk Release	12.243
73	LAMP, Glove Box	10.275
74	BEZEL	9.264
75	SCREW (8-18 x 3/4)	8.977
76	MOULDING, Instrument Panel Lower	10.252
77	HOUSING	9.264
78	WASHER	9.264
79	RETAINER, Outlet Centre	9.264
80	LINER	9.264
81	DEFLECTOR, R.H. Centre Outlet	9.264
82	HOUSING ASSEMBLY, L.H.	9.264
83	PIN, Lower Outlets	9.264
84	DUCT, Air Outlet	9.257
85	MANIFOLD (Plastic)	9.263
86	ADAPTER, Lower Deflector	9.257
87	COVER, Outlet Round	9.264
88	SEAL, Adapter to R.H. Centre Outlet	9.264
89	SEAL, Upper Outlet Centre	9.264
90	SEAL, Upper to R.H. Centre Outlet	9.264
91	ADAPTER, Centre Vent	9.789
92	SEAL, Adapter to Vent Duct	9.789
93	SEAL, Adapter to R.H. Centre Outlet	9.264
94	SEAL, Upper Outlet Centre	9.264
95	BUMPER, Door Stop (Rubber)	10.268
96	STOP, Door	10.268
97	PANEL, Door Inner	10.261
93	PANEL, Door Outer	10.261
99	ESCUTCHEON, Glove Box Door Lock	10.267
100	LOCK CYLINDER & KNOB, Glove Box	10.266
101	CASE, Glove Box Door (Less Knob and Cylinder)	10.266
102	PAD, Instrument	14.655
104	TIE BAR, Lower L.H.	10.230
105	TIE BAR, Lower R.H.	10.230
106	COVER	6.518
107	SCREW	8.977
108	PANEL, Instrument Control	10.252
109	ASH TRAY	12.009
110	LENS, Speedometer and Fuel Gauge	9.748
111	BRACKET	9.743



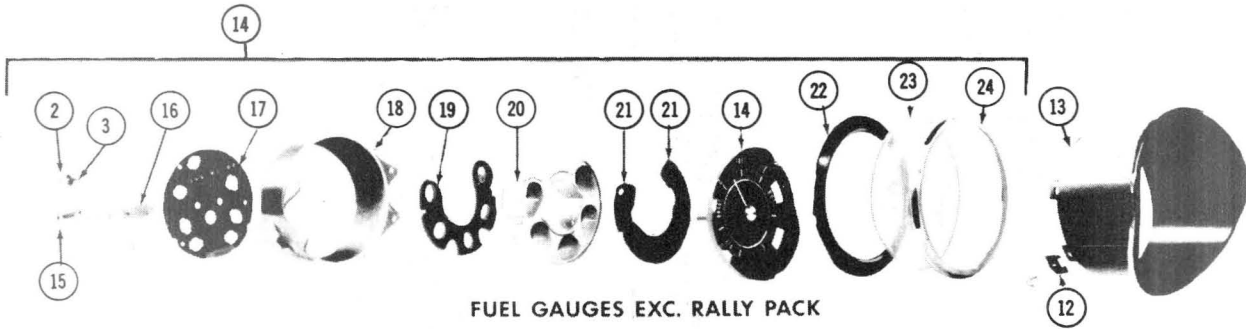
1974 INSTRUMENT PANEL DETAILS

1974 INSTRUMENT PANEL DETAILS

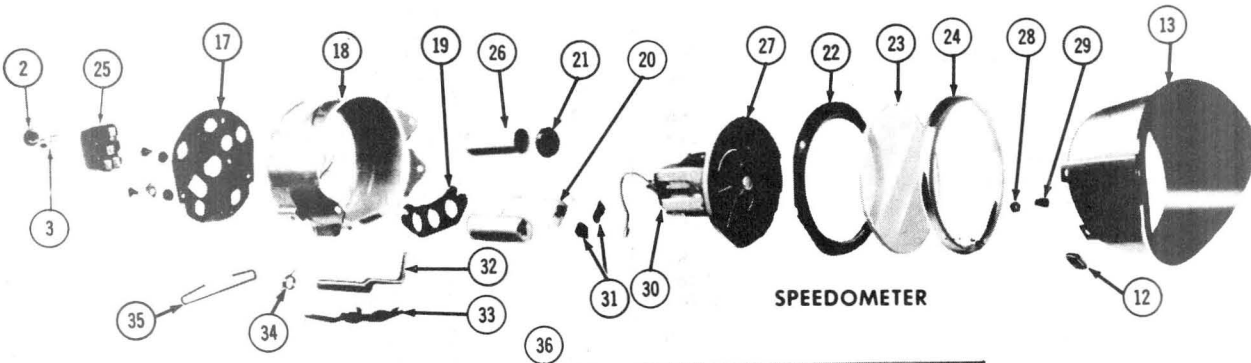
Key	Description	Group	Key	Description	Group
1	BRACKET (LH)	10.230	41	NUT	9.667
2	CLUSTER, (exc. Opt. D55, U18, U21, Y78)	9.735	42	KNOB, dummy	9.649
	CLUSTER, (Opt. Y78 exc. D55 (exc. U18, U21, Y78)	9.735		KNOB, balance control	9.649
	CLUSTER, (Opt. U21 exc. D55)	9.735	43	KNOB, tone control	9.649
	CLUSTER, (Opt. Y78 exc. U18)	9.735	44	KNOB, tone & volume	9.649
3	GAUGE, (exc. Opt. U21)	3.108	45	KNOB	9.709
	CLUSTER, (Opt. U21)	9.735	46	CASE	9.709
	CLUSTER, (Opt. Y78 exc. U18)	9.735	47	DOOR & RECEIVER	12.009
4	BUZZER,	9.762	48	HOUSING	12.009
5	RADIO, push button	9.650	49	PANEL (LH)	10.252
	RADIO, AM-FM mono	9.650	50	LAMP ASSY.	10.275
	RADIO, AM-FM stereo	9.650	51	SWITCH	9.778
	RADIO, deluxe AM & stereo tape player	9.650	52	SWITCH	3.883
	RADIO, AM-FM stereo & tape player	9.650	53	APPLIQUE, (exc. Opt. U35) (LH)	10.252
6	BRACKET	9.655		APPLIQUE, (Opt. U35) (LH)	10.252
7	STRIKER	10.268	54.	ESCUTCHEON	2.487
9	COVER	10.256	55.	CONTROL, light switch	2.486
10	HOUSING & BASE	2.580	56	KNOB	10.164
	HOUSING & BASE (Neutral)	9.765	57	CABLE	4.592
	HOUSING & BASE (Oxblood)	9.765	58	NAME PLATE, "Brake Release"	10.254
	HOUSING & BASE (Blue)	9.765		NAME PLATE, "Brake Release - Cruise Cont."	10.254
11	COVER	10.256		NAME PLATE, "Brake Release - R. Defogger"	10.254
12	SPEAKER	9.650		NAME PLATE, "Brake Release - Cruise Cont. - R. Defogger"	10.254
13	PAD	14.655	59	CONTROL (LH)	9.787
14	LAMP	2.776	60	SWITCH, windshield wiper	10.163
15	BRACKET (RH)	10.230	61	CLOCK	9.772
16	MOLDING PKG. (Opt. Y78 exc. C.A.C.)	10.252	62	SWITCH, light control	2.585
	MOLDING PKG., (Opt. Y78 & C.A.C.)	10.252	63	NOZZLE, (exc. C.A.C.)	9.779
17	CONTROL (RH)	9.787		NOZZLE, (C.A.C.)	9.779
18	SUPPORT	10.230	64	HEATER ASSY., (exc. C.A.C.)	8.854
19	BEZEL (exc. Opt. Y78) (RH)	9.743	65	SPRING	4.022
	BEZEL, (Opt. Y78) (RH)	9.743	66	COVER	4.020
20	BAR (RH)	10.230	67	NEEDLE (exc. console, Opt. U21)	4.020
21	BAR (LH)	10.230		NEEDLE, (Opt. U21)	4.020
22	REINFORCEMENT	10.268	68	CONNECTOR	9.670
23.	BOX ASSY.	10.260	69	BRACKET	9.670
24	LAMP ASSY.	10.275	70	SEAL	9.789
25	STOP (RH)	10.268	71	ADAPTER	9.789
	STOP (LH)	10.268	72	COVER (RH)	9.264
26	PANEL	10.261	73	RETAINER, (RH center)	9.264
27	PANEL	10.261	74	LINER, (RH center)	9.264
28	ESCUTCHEON	10.267	75	DEFLECTOR, (RH center)	9.264
29	LOCK CYLINDER	10.266	76	SEAL, (RH center)	9.262
30	CASE	10.266	77	SEAL, (center)	9.262
31	SWITCH ASSY.	12.243	78	DEFLECTOR	9.264
	SWITCH	12.195	79	COVER (LH)	9.264
32	SWITCH ASSY.	10.275	80	DUCT (LH)	9.257
33	CABLE KIT	8.849	81	HOSE (RH)	9.257
34	CABLE KIT	8.849	82	OUTLET	8.858
35	CONTROL	8.849	83	SEAL (LH)	9.263
	CONTROL	9.273	84	DEFLECTOR	9.264
36	PANEL (RH)	10.252	85	DEFLECTOR (RH)	9.264
37	LAMP ASSY.	10.275	86	ADAPTER (RH)	9.257
	LAMP ASSY.	10.275	87	HOUSING (LH)	9.264
38	APPLIQUE, (exc. C.A.C. or radio) (RH)	10.252	88	WASHER	9.264
	APPLIQUE, (C.A.C. exc. radio) (RH)	10.252	89	VANE	9.264
	APPLIQUE, (radio exc. C.A.C.) (RH)	10.252	90	HOSE (RH)	9.257
	APPLIQUE, (C.A.C. & radio) (RH)	10.252	91	MANIFOLD	9.263
39	KNOB	8.852	92	HOUSING (LH)	9.264
40	KNOB	8.852	93	HOSE (LH)	9.257
			94	GASKET	9.263
			95	SEAL	9.262
			96	DEFLECTOR	9.264
			97	CONTROL (center)	9.787
			98	BEZEL (exc. Opt. Y78) (LH)	9.743
				BEZEL (Opt. Y78) (LH)	9.743



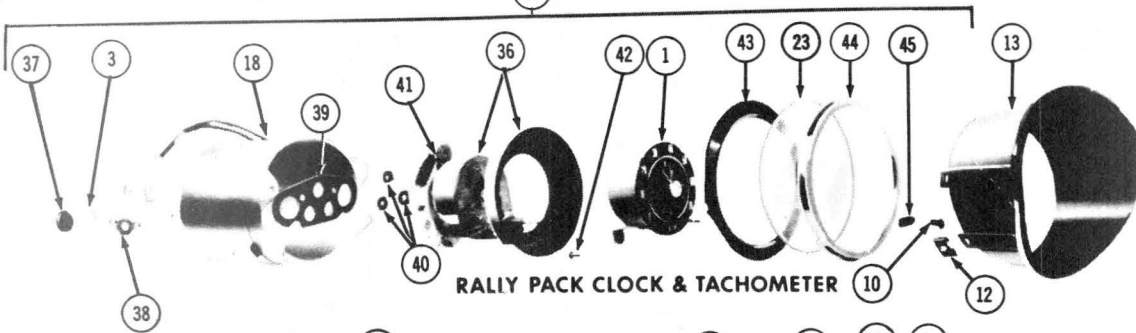
CLOCK



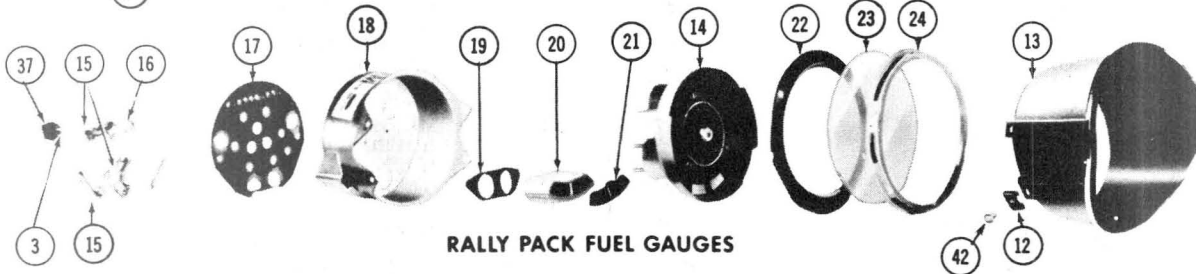
FUEL GAUGES EXC. RALLY PACK



SPEEDOMETER



RALLY PACK CLOCK & TACHOMETER

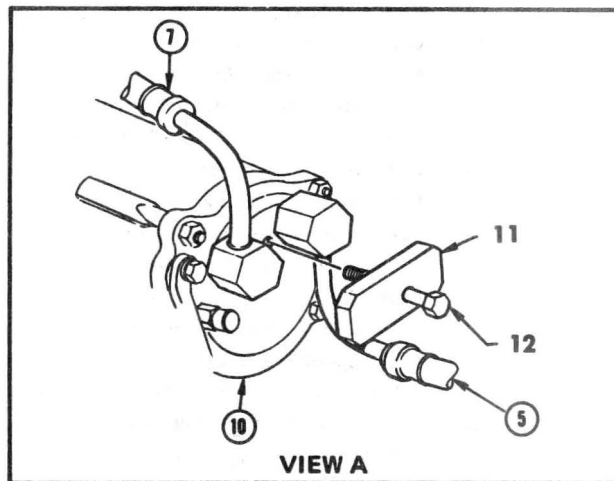
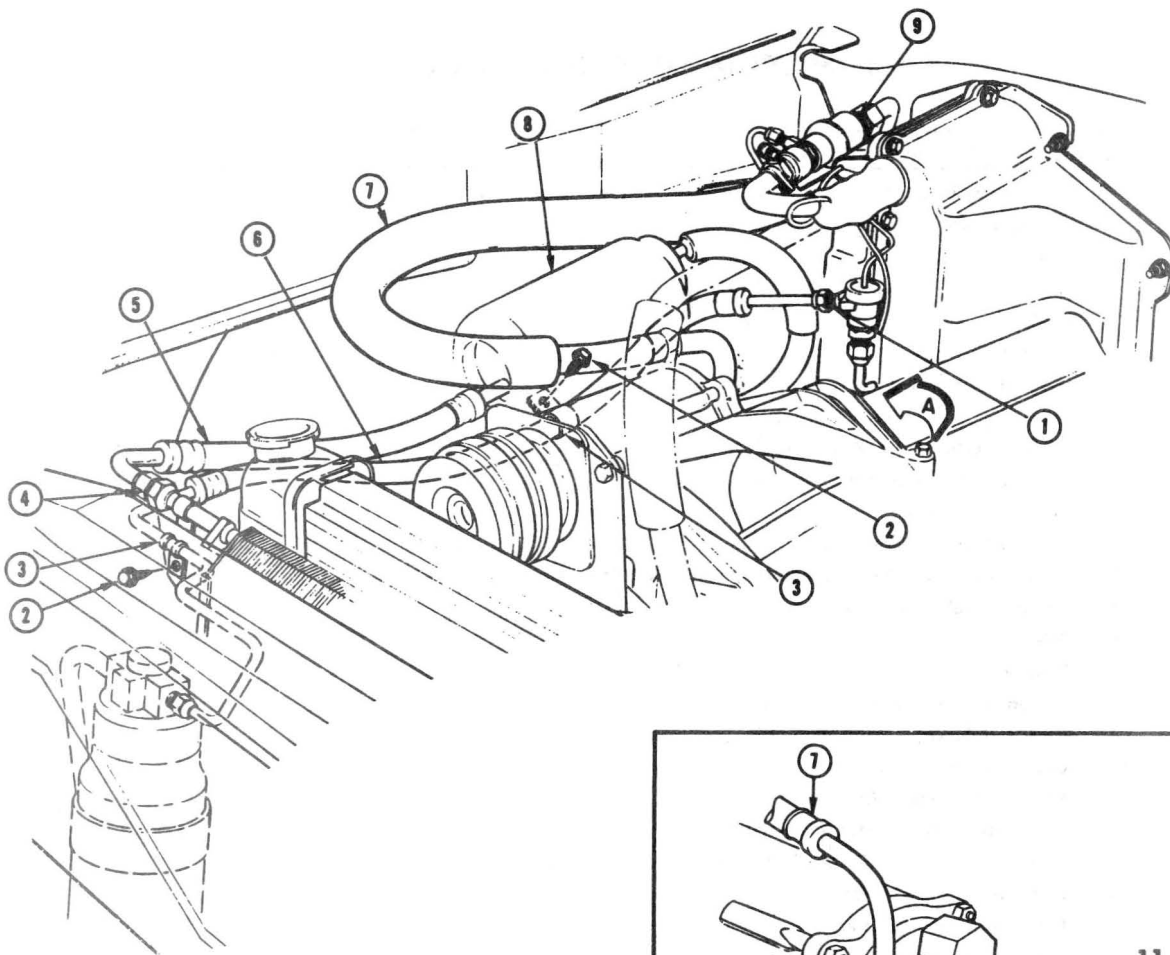


RALLY PACK FUEL GAUGES

1968 INSTRUMENT PANEL GAUGES

1968 INSTRUMENT PANEL GAUGES

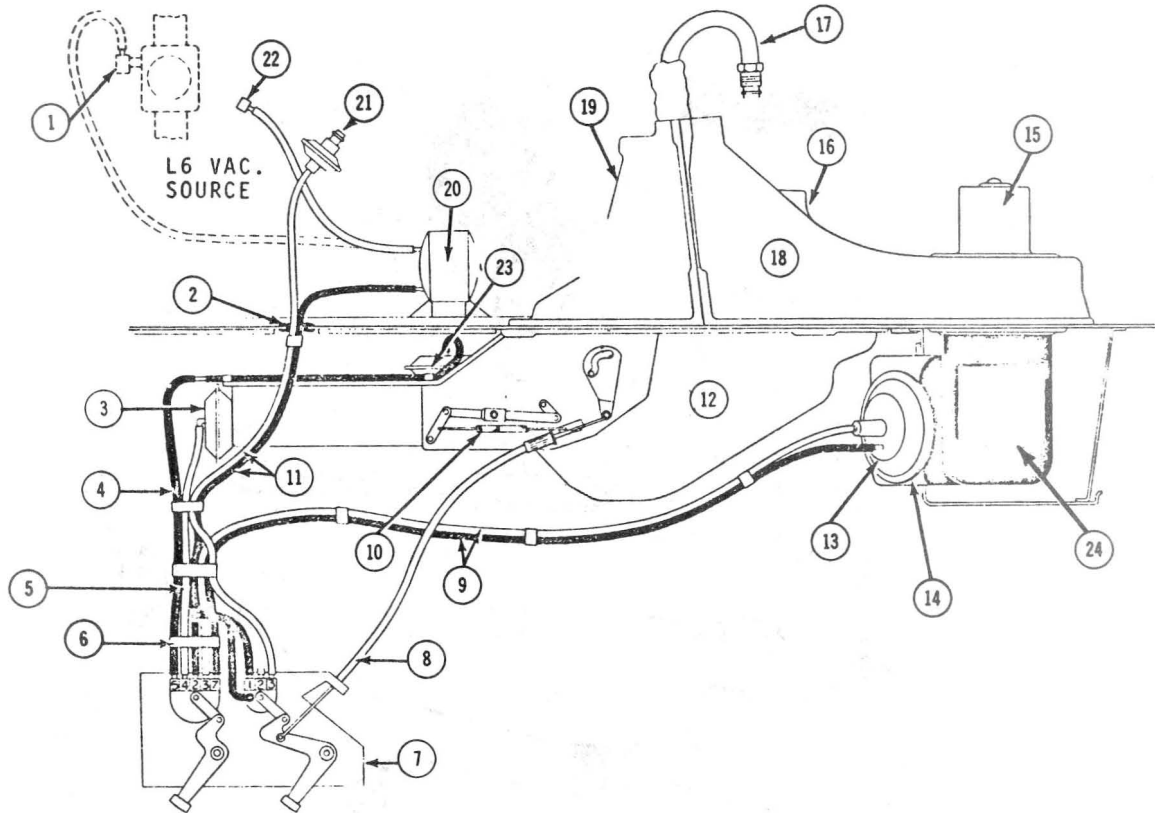
Key	Description	Group
1	Clock Assembly, Electric	9.772
2	Socket, Instrument Cluster Lamp	9.744
3	Bulb	8.991
4	Case	N.S.S.
5	Clock	N.S.S.
6	Retainer	N.S.S.
7	Lens, Electric Clock	9.772
8	Bezel	N.S.S.
9	Sleeve, Electric Clock Adjusting Knob	9.772
10	Knob, Electric Clock Set	9.772
11	Cover, Clock Hole	9.772
12	Clip, Instrument Bezel Retaining	10.252
13	Bezel, Instrument Cluster Speedometer and Tell Tale Opening	9.743
14	Gauge, Gasoline — Dash Unit	3.108
15	Shield, Resistor	9.745
16	Resistor	N.S.S.
17	Printed Circuit, Instrument Cluster	9.744
18	Case and Bracket, Instrument Units	9.743
19	Gasket, Instrument Cluster Housing	9.744
20	Housing, Instrument Cluster Tell Tale	9.744
21	Filter, Instrument Cluster Tell Tale Window	9.744
22	Retainer, Instrument Cluster Figure Face	9.748
23	Lens, Instrument Cluster	9.748
24	Bezel, Instrument Cluster — Lens Retaining	9.743
25	Buzzer, Speed Warning Indicator	9.762
26	Sleeve, Instrument Cluster Tell Tale	9.744
27	Head, Speedometer	9.761
28	Bushing, Speed Warning Set Shaft	9.762
29	Knob, Speed Warning Indicator	9.762
30	Gasket, Instrument Cluster Bezel and Lens	9.749
31	Filter, Direction Signal Tell Tale	2.893
32	Indicator, Transmission Shift	4.020
33	Cover, Shift Indicator Needle	4.022
34	Spring, Shift Indicator Needle	4.022
35	Link, Shift Indicator	4.022
36	Tachometer Assembly, Engine	9.750
37	Socket, Tachometer Lamp	9.750
38	Shield, Tachometer	9.750
39	Gasket, Clock Mounting	9.772
40	Bushing, Electric Clock — Insulating	† 9.750
41	Circuit and Cable Assembly, Electronic Tachometer	9.750
42	Screw	8.977
43	Retainer, Tachometer and Clock Unit Lens	9.750
44	Bezel, Tachometer Outer Glass Retainer Chrome	9.750
45	Bushing, Electric Clock — Set Shaft	9.750



**1968 AIR CONDITIONING MUFFLER AND HOSES
 TYPICAL OF 1969-71**

Key	Description	Group
1	Gasket, Air Conditioning Evaporator Tube.....	9.211
2	Screw, Hex Head - S.S.....	8.977
3	Clamp, Refrigerant Condenser Pipe	9.242
4	Gasket, Air Conditioning Evaporator Expansion Valve...	9.214
5	Hose and Muffler, Air Conditioning Discharge.....	9.225
6	Hose, Air Conditioning Receiver To Evaporator.....	9.231

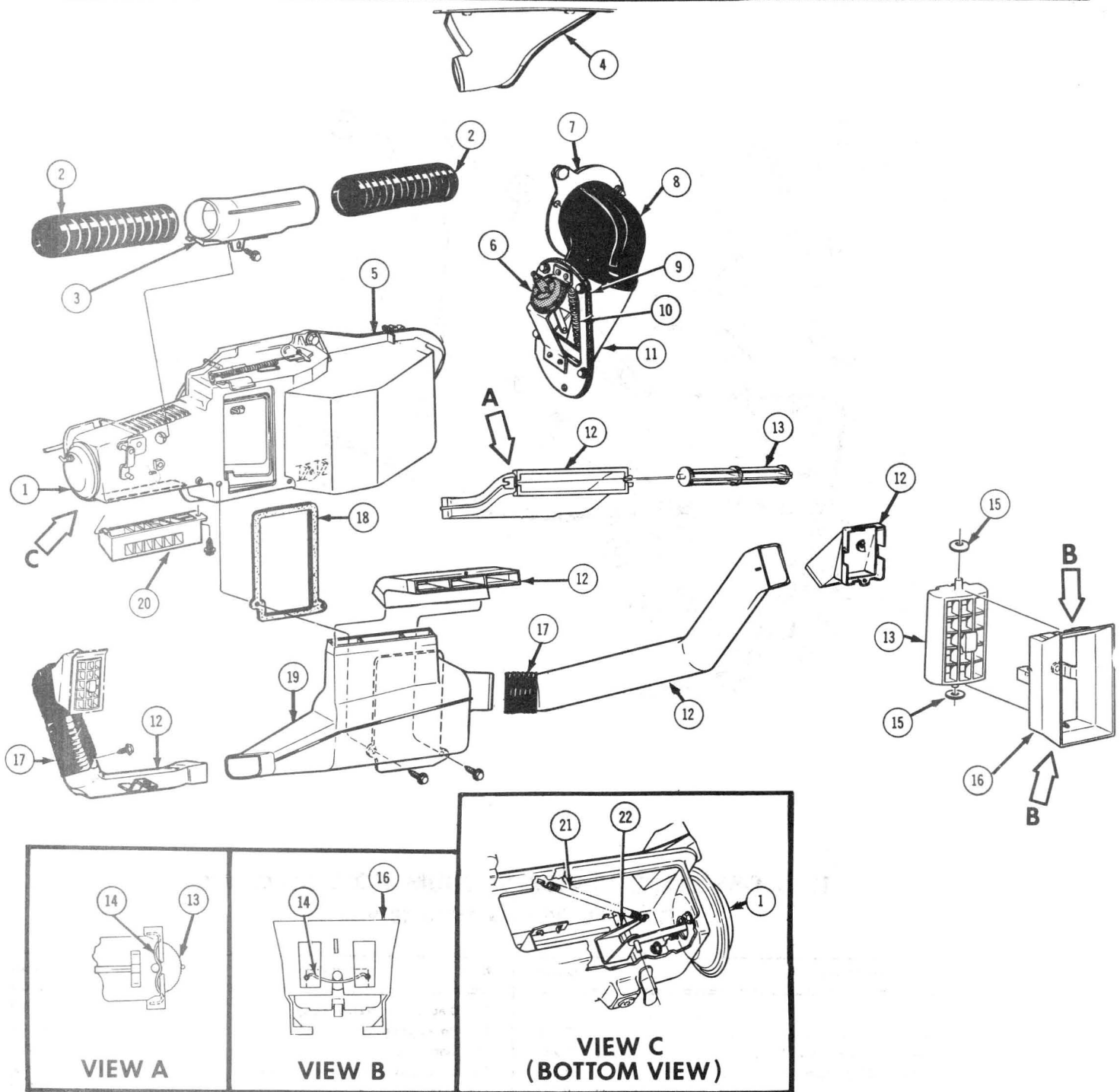
Key	Description	Group
7	Hose, Air Conditioning Compressor To POA Valve.....	9.238
8	Insulator, Air Conditioning Discharge Muffler.....	9.226
9	Seal, Air Conditioning Discharge & Suction Valve.....	9.226
10	Compressor, Air Conditioning.....	9.170
11	Plate - Part of Key No. 10.....	N.S.S.
12	Bolt - 3/8 - 24 - 2 - S.S.....	8.900



**1968 F-85 C.A.C. HEATER VACUUM HOSE DIAGRAM
 (TYPICAL OF 1969 THRU 1972)**

Key	Description	Group
1	Connector	9.257
2	Grommet	9.775
3	Diaphragm, Defroster Valve	9.281
4	Hose, Diverter Diaphragm	9.280
5	Hose	9.281
6	Hose Assy.	9.281
7	Control	9.273
8	Cable, Temperature	8.849
9	Hose	9.281
10	Spring, Diverter	8.858
11	Hose	9.281
12	Heater	8.845

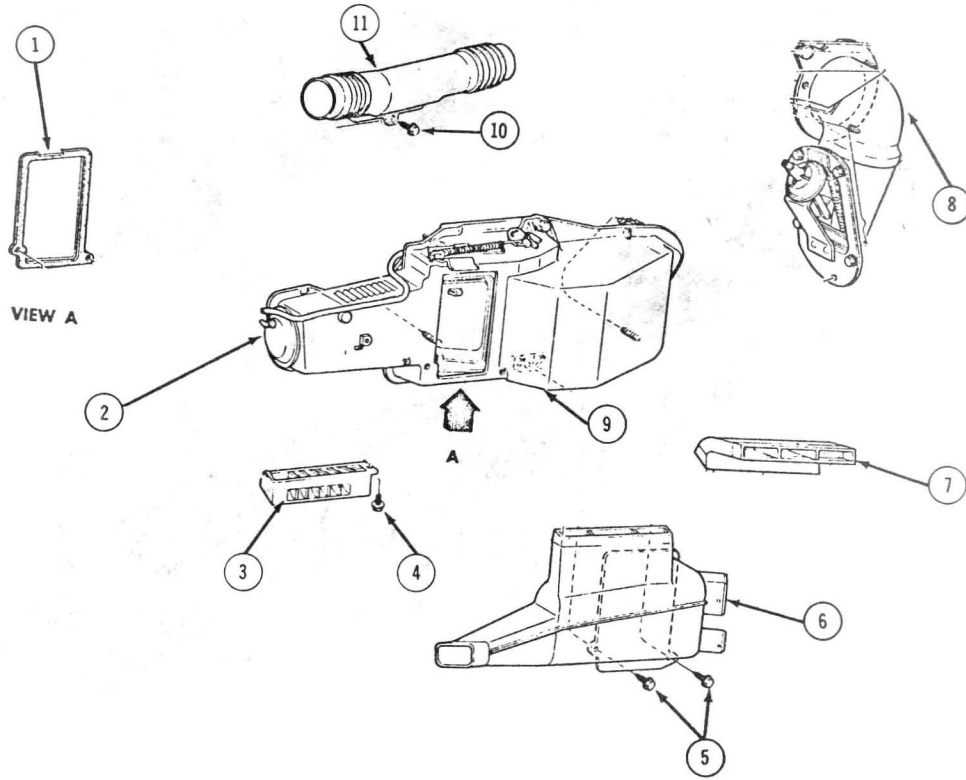
Key	Description	Group
13	Diaphragm, Valve Body	9.280
14	Door-Spring—Body	9.789
15	Motor	9.215
16	Case, Motor and Plenum Blower	8.857
17	Core	9.210
18	Evaporator	9.210
19	Case, Outlet	9.211
20	Tank, Vacuum	8.850
21	Valve	8.848
22	Elbow	8.850
23	Diaphragm	9.280
24	Duct	9.789



1968 AIR CONDITIONING HEATER AND MANIFOLD (TYPICAL)

Key	Description	Group
1	Actuator, Vacuum	8.850
2	Hose, Defroster Air	9.779
3	Adapter, Defroster Outlet to Heater	9.779
4	Outlet, Defroster Air	9.779
5	Heater	8.845
6	Diaphragm, Inlet Valve	9.280
7	Flange and Pin, Air Inlet Valve Duct Mounting	9.789
8	Duct, Blowers Inlet and Valve Housing	9.215
9	Gasket, Air Inlet Valve Duct to Dash	9.789
10	Spring, Air Valve Return	8.858
11	Valve Assembly, Air Inlet	9.789

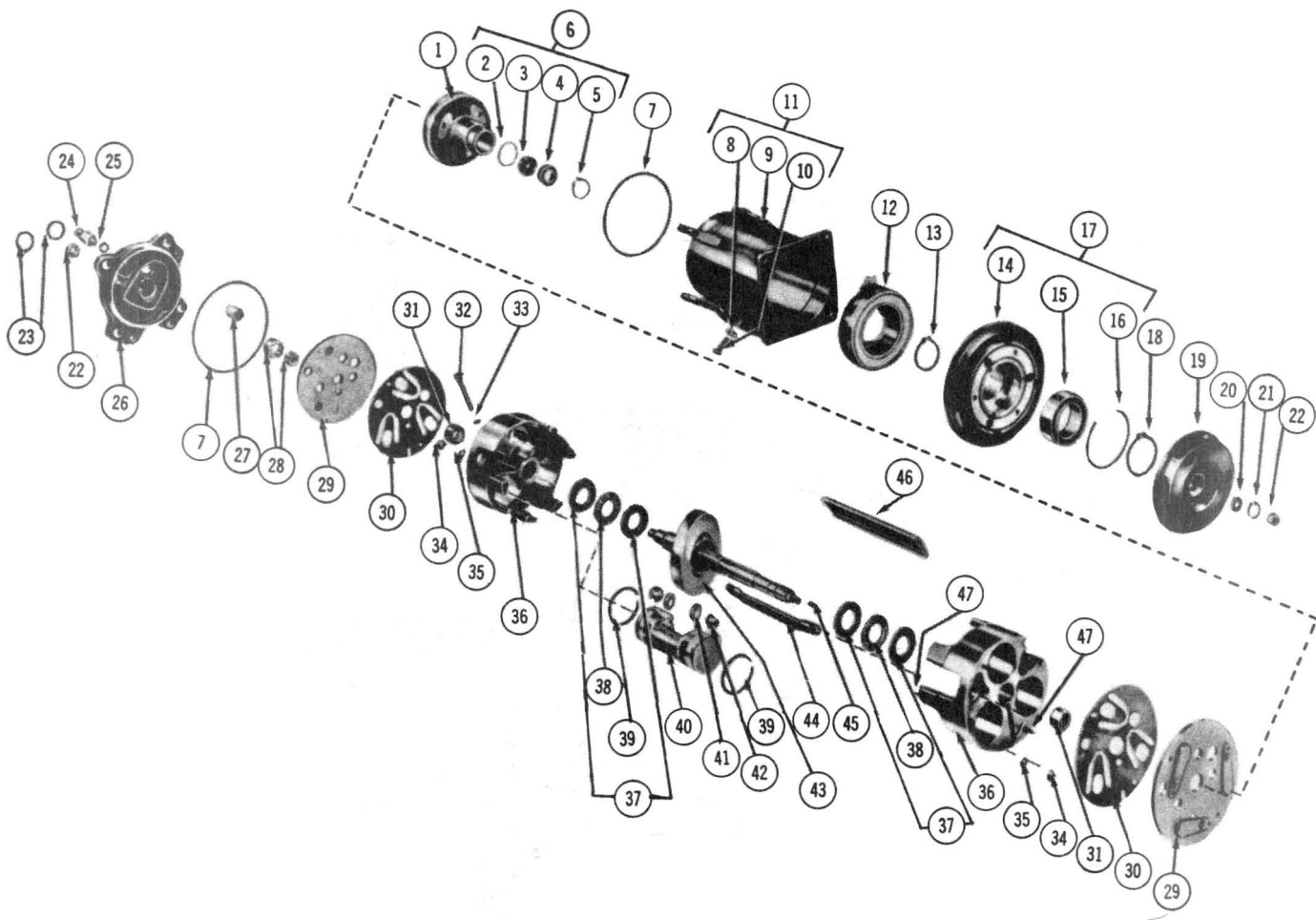
Key	Description	Group
12	Adapter, Air Conditioner Air Outlet	9.257
13	Deflector, Air Conditioning Air Outlet	9.264
14	Retainer, Air Conditioning Deflector	9.264
15	Washer, Air Conditioning Deflector to Duct	9.264
16	Housing, Air Conditioning Air End Outlet	9.264
17	Hose, Air Conditioning Duct to Outlet	9.257
18	Gasket, Manifold to Heater	9.236
19	Manifold, Air Conditioning Refrigerated Air	9.263
20	Outlet, Heater Air Distributor Centre	9.786
21	Spring, Heater Diverter	8.858
22	Valve, Heater Diverter	8.858



**1969 F85 AIR CONDITIONING HEATER & MANIFOLD DETAILS
(TYPICAL OF 1970-72)**

Key	Description	Group
1	Gasket	9.779
2	Diaphragm, Defroster Valve	9.779
3	Outlet	9.786
4	Screw	Std. Stock
5	Screw	Std. Stock
6	Manifold	9.263

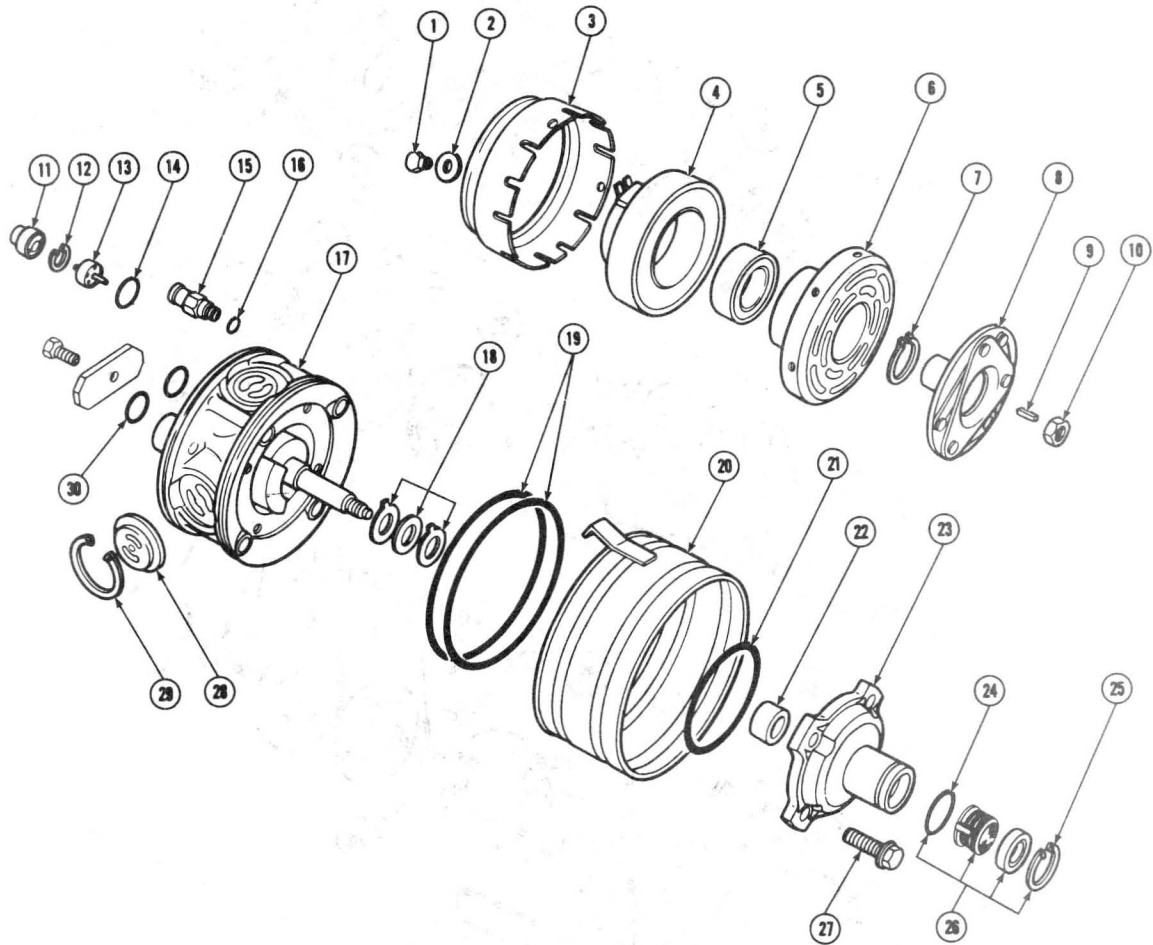
Key	Description	Group
7	Duct, Center Outlet	9.257
8	Duct, Air Inlet	9.215
9	Heater	8.845
10	Screw	Std. Stock
11	Adapter, Defroster	9.779



AIR CONDITIONING COMPRESSOR

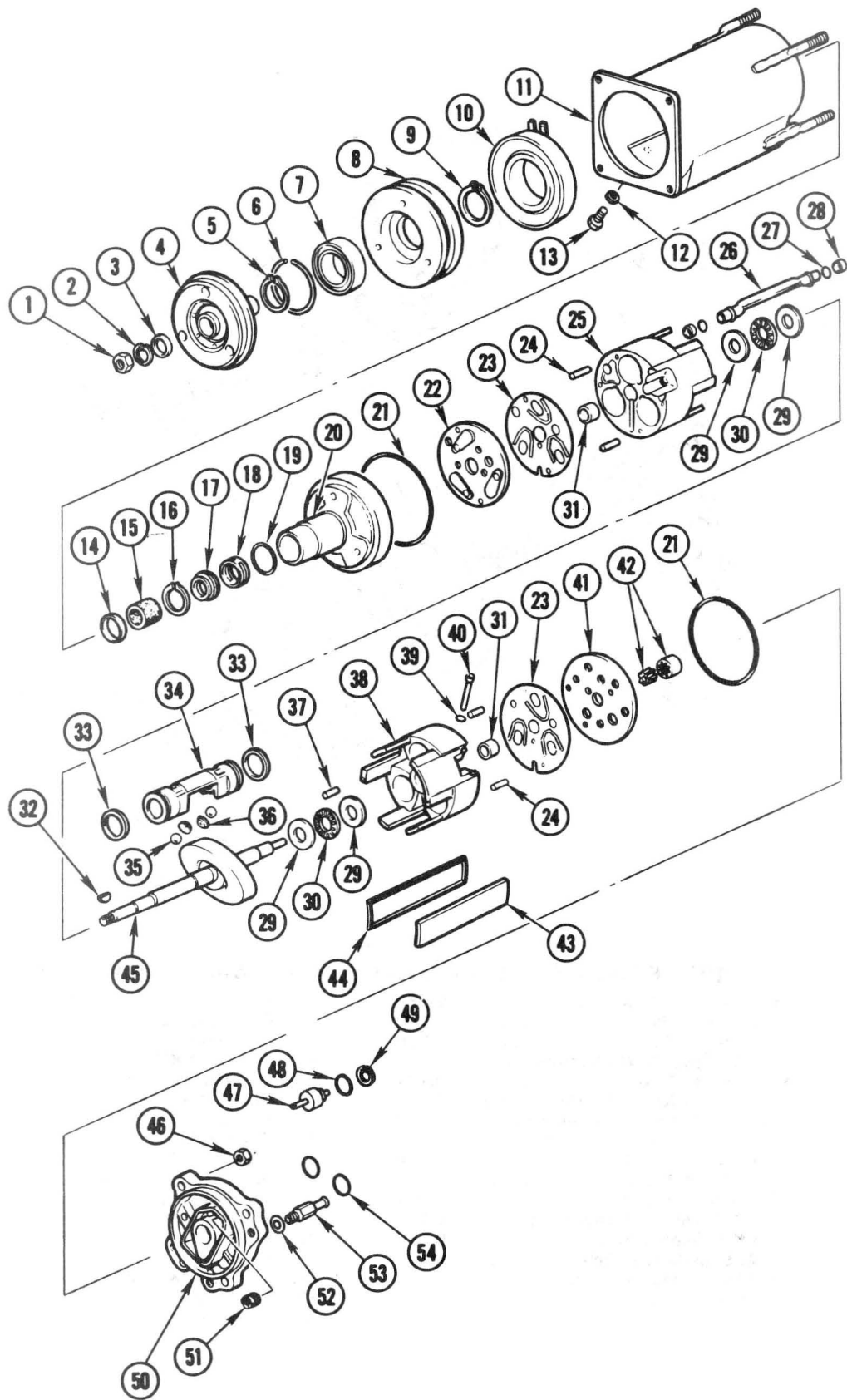
Key	Description	Group	Key	Description	Group
1	Head, Compressor—Front	9.174	26	Head, Compressor—Rear	9.174
2	Ring, Oil Seal Seat—O—	*N.S.S.	27	Screen, Compressor Suction	9.172
3	Seal, Shaft Oil	N.S.S.	28	Pump Kit, Compressor Oil	9.172
4	Seat, Oil Seal	N.S.S.	29	Plate, Compressor Discharge Valve	9.172
5	Ring, Compressor Retainer—Seat	#9.175	30	Valve, Compressor Suction—Reed	9.172
6	Seal Kit, Compressor Shaft	9.175	31	Bearing, Compressor—Mainshaft	9.172
7	Ring, Shell to Head	*N.S.S.	32	Tube, Compressor—Inlet	9.172
8	Gasket, Compressor Oil Check Fitting	9.177	33	Ring, Oil Inlet Tube —O—	*N.S.S.
9	Shell	N.S.S.	34	Bushing, Compressor Discharge Tube	9.172
10	Screw, Compressor Shell—Charging	9.177	35	Ring, Discharge Tube —O—	*N.S.S.
11	Shell, Compressor	9.170	36	Cylinder, Compressor	9.170
12	Coil, Compressor Clutch	9.186	37	Race, Compressor Bearing Thrust	9.172
13	Retainer, Compressor Clutch Coil Ring	#9.175	38	Bearing, Compressor—Needle Thrust	9.172
14	Pulley	N.S.S.	39	Ring, Compressor Piston	9.172
15	Bearing, Clutch Pulley	9.181	40	Piston, Compressor	9.172
16	Ring, Compressor Bearing—to Pulley	9.181	41	Seat or Disc, Compressor Shoe	9.172
17	Pulley, Compressor	9.180	42	Ball, Compressor Piston Drive	9.172
18	Ring, Compressor Bearing—to Head	9.181	43	Shaft, Compressor	9.170
19	Plate, Compressor—Clutch Drive	9.188	44	Tube, Compressor—Discharge	9.172
20	Washer, Compressor Hub—Spacer	9.181	45	Key, Compressor Hub	9.188
21	Ring, Compressor Retainer—Hub	#9.175	46	Cover, Compressor Suction Pass	*9.172
22	Nut Kit, Compressor Shell and Shaft	9.170	47	Pin Package, Compressor Cylinder	9.170
23	Ring, —O—	*N.S.S.			
24	Valve, Compressor—Pressure Relief	9.275			
25	Gasket, Compressor Pressure Relief Valve	9.225			

* —Serviced as Part of Gasket and Ring Kit, Compressor—Group 9.170
—Serviced as Part of Ring Kit, Compressor Retainer—Group 9.170



1976 RADIAL 4 CYLINDER AIR CONDITIONING COMPRESSOR

1. SCREW, Pulley Rim Mounting	9.180	16. SEAL, Relief Valve (Part of #15)	N.S.
2. WASHER, Pulley Rim	9.180	17. CYLINDER & SHAFT ASM., Compressor	N.S.
3. RIM, Compressor Pulley	9.180	18. WASHER KIT, Compressor Thrust	9.170
4. COIL & HOUSING ASM., Compressor ..	9.186	19. "O" RING, Cylinder to Shell	9.172
5. BEARING, Pulley Rotor	9.181	20. SHELL ASM., Compressor	9.170
6. ROTOR & BEARING ASM., Compressor ..	9.172	21. SEAL, Front Head to Cylinder Ring	9.172
7. RING, Bearing to Front Head Retainer ..	9.172	22. BEARING, Front Head-Main	9.172
8. DRIVE ASM., Compressor Clutch	9.186	23. HEAD ASM., Compressor Front	9.174
9. KEY, Drive Hub to Shaft	9.188	24. SEAL, Seat "O" Ring	9.175
10. NUT, Drive Shaft Pulley	9.181	25. RING, Seal Seat Retainer	9.172
11. CAP, Thermal Switch Protective	N.S.	26. SEAL KIT, Compressor Shaft	9.170
12. RETAINER, Superheat Switch Ring	9.172	27. SCREW & WASHER ASM., Front Head Mounting	N.S.
13. SWITCH KIT, Superheat	9.172	28. PLATE ASM., Valve	9.172
14. "O" RING, Superheat Switch	9.172	29. RING, Valve Plate Retaining	9.172
15. VALVE ASM., Compressor Pressure Relief (Incl. #16)	9.178	30. "O" RING, Suction Disc Port	9.172



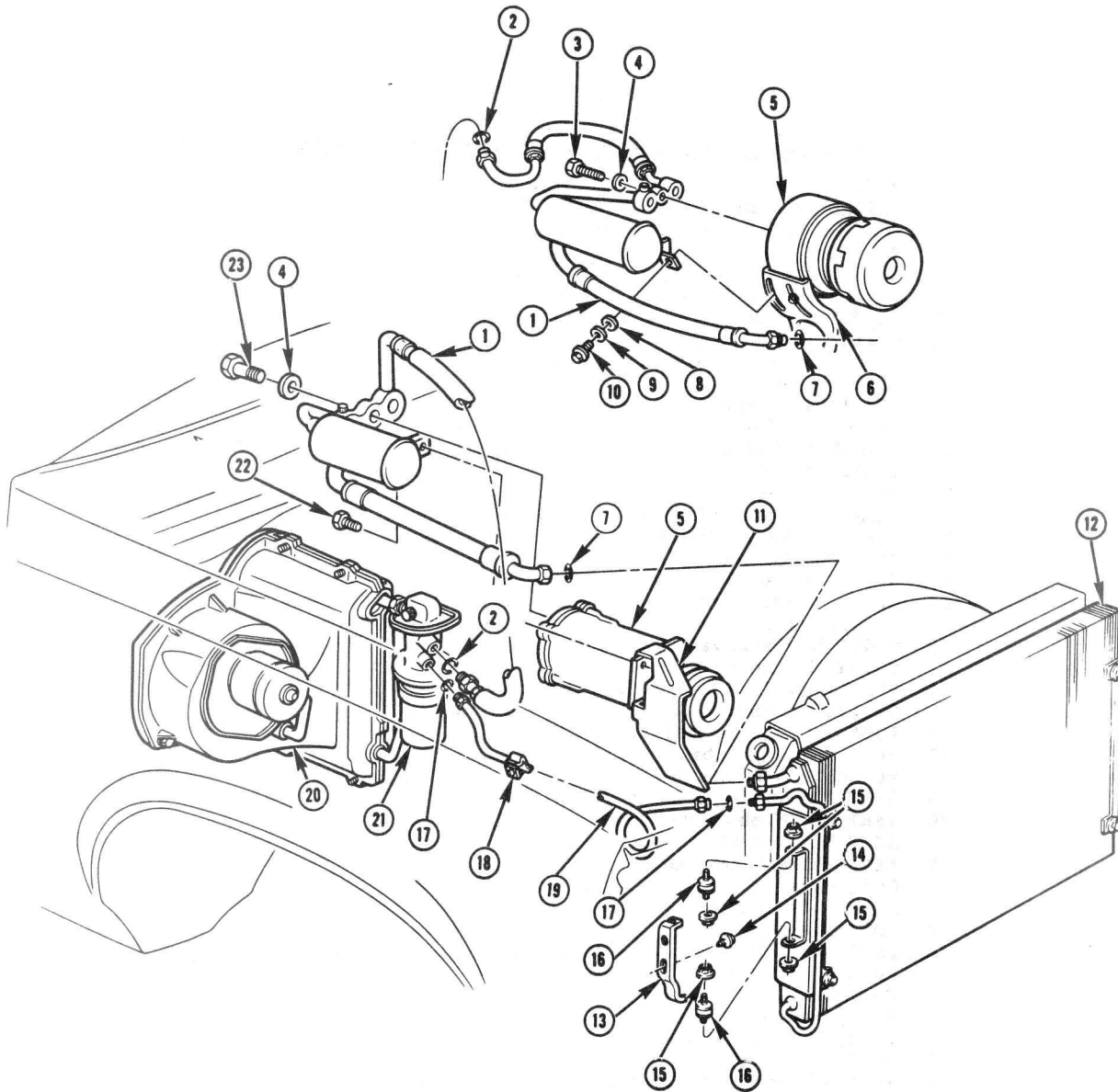
1976 6 CYLINDER AXIAL AIR CONDITIONING COMPRESSOR



1976 6 CYLINDER AXIAL AIR CONDITIONING COMPRESSOR

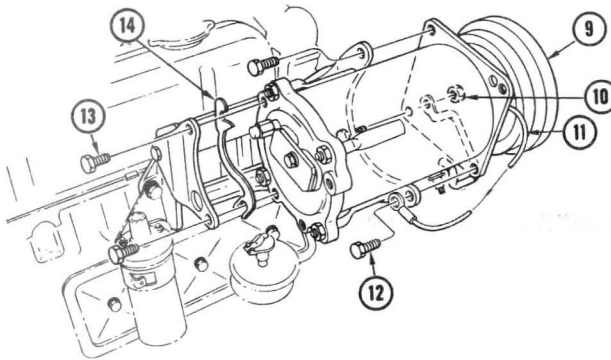
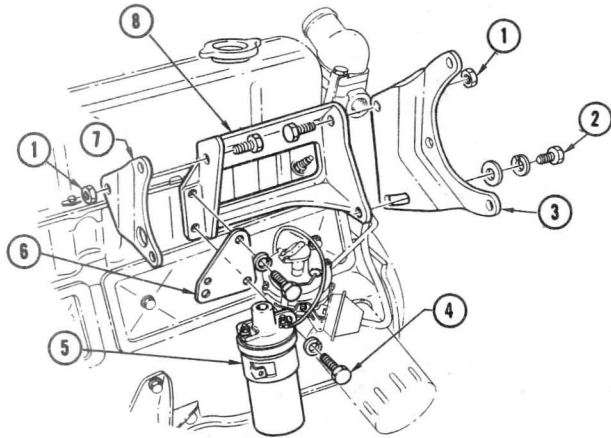
1. NUT, Drive Shaft (1)	N.S.
2. RING, Drive Shaft Drive Hub Retaining (2)	N.S.
3. SPACER, Drive Shaft Hub to Nut	9.181
4. PLATE, w/Hub	9.188
5. RING, Bearing to Head (2)	N.S.
6. RING, Bearing to Pulley	9.181
7. BEARING, Pulley	9.181
8. PULLEY, Compressor	9.180
9. RING, Coil Housing Retainer	9.175
10. COIL, W/Housing	9.186
11. HOUSING, Pulley Compressor	9.170
12. GASKET, Oil Fitting Screw	9.177
13. SCREW, Oil Fitting	9.177
14. SEAL, Shaft (3)	N.S.
15. SEAT, Shaft Seal (3)	N.S.
16. SEAL, Seat Retainer Ring (2-3)	N.S.
17. SEAL, Felt Sleeve Retainer (3)	N.S.
18. SEAL, Felt Sleeve (3)	N.S.
19. RING, Seal Seat (3-4)	N.S.
20. HEAD, Cylinder Front	9.174
21. SEAL, Head "O" Ring (4)	N.S.
22. PLATE, Discharge Valve Front	9.172
23. VALVE, Suction Reed	9.172
24. PIN, Cylinder Locator (6)	N.S.
25. CYLINDER, Front	9.170
26. TUBE PKG., Discharge (5)	N.S.
27. RING, Discharge Tube (4)	N.S.
28. BUSHING, Tube Unit (5)	N.S.
29. RACE, Thrust Bearing	9.172
30. BEARING, Wobble Plate Thrust	9.172
31. BEARING, Main Shaft	9.172
32. KEY, Cylinder Locator Kit	9.188
33. RING, Piston	9.172
34. PISTON, Compressor	9.172
35. BALL, Piston Drive	9.172
36. SEAT, Piston Ball Drive	9.172
37. PIN, Head Locator	N.S.
38. CYLINDER, Rear	9.170
39. SEAL, Oil Inlet Tube (4)	N.S.
40. TUBE, Oil Pump Suction	9.172
41. PLATE, Discharge Valve Rear	9.172
42. PUMP KIT, Inner & Outer Rotors	9.172
43. SEAL, Manifold Suction Cover (4)	N.S.
44. COVER, Manifold Suction	9.172
45. SHAFT ASM., W/Wobble Plate	9.170
46. NUT, Cylinder Head (7/16"—20) (1)	N.S.
47. SWITCH, Superheat (7)	N.S.
48. RING, Superheat Switch (7)	N.S.
49. RETAINER, Ring (7)	N.S.
50. HEAD, Cylinder Rear	9.174
51. SCREEN, Suction	9.172
52. GASKET, Pressure Relief Valve	9.178
53. VALVE, Pressure Relief	9.178
54. SEAL, Ring (4)	N.S.

- (1) Shell & Shaft Nut Kit-Group 9.170.
- (2) Retainer Ring Kit-Group 9.170.
- (3) Shaft Seal Kit-Group 9.170.
- (4) O-Ring Gasket Kit-Group 9.170.
- (5) Discharge Tube Kit-Group 9.172.
- (6) Cylinder Locator Pin Kit-Group 9.178.
- (7) Superheat Switch Kit-Group 9.172.

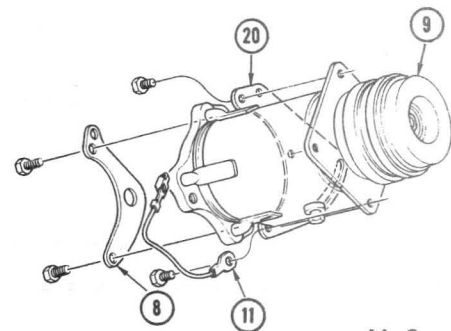
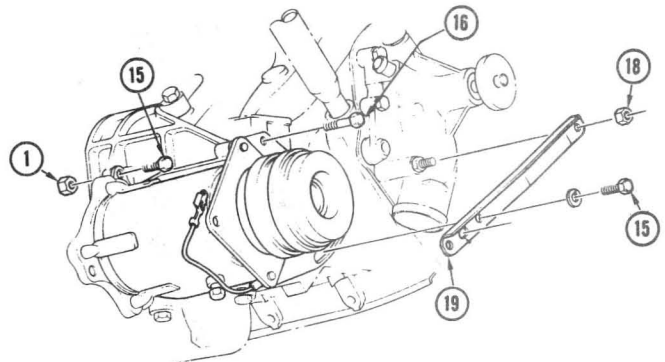
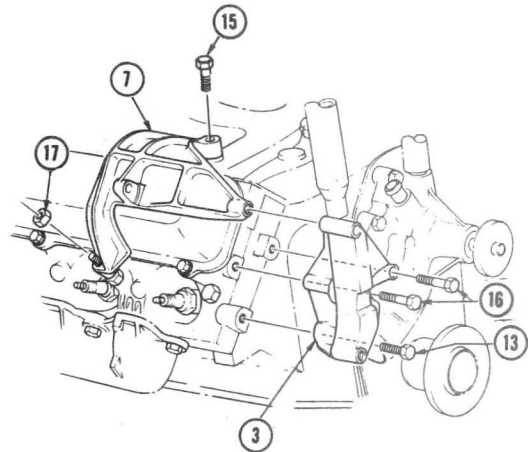


1976 "A" AIR CONDITIONING REFRIGERATION SYSTEM

1. HOSE ASM.,W/Muffler	9.225	12. CONDENSER ASM.,A.C. Refrig.	9.190
2. "O" RING,Evap. Outlet Conn. to V.I.R. ...	9.214	13. BRACKET,Cndsr. Mtg.	9.190
3. BOLT, ³ / ₈ "—16 x 1 ¹ / ₂ "	8.900	14. SCREW, ⁵ / ₁₆ "—18 x ³ / ₄ "	1.276
4. WASHER, ¹³ / ₃₂ "	8.929	15. NUT, ⁵ / ₁₆ "—18	8.921
5. COMPRESSOR ASM.	9.170	16. INSULATOR ASM.,Cndsr.	9.190
6. BRACE,Compr. Adj.	9.171	17. GASKET,Liquid Line	9.211
7. "O" RING,Evap. Inlet Line Conn.	9.214	18. CLIP,Clamp to Filler Plate	9.242
8. WASHER, ³ / ₈ " Flat	8.929	19. TUBE ASM.,Cndsr. to V.I.R.	9.220
9. WASHER, ³ / ₈ " Lock	8.931	20. MOTOR ASM.,Evaporator Motor, w/Fan	9.215
10. BOLT, ³ / ₈ "—16 x ⁷ / ₈ "	8.900	21. RECEIVER ASM.,W/Valve Evap. (V.I.R.)	9.195
11. SHIELD,Compr.	9.171	22. SCREW, ⁵ / ₁₆ "—24 x 1"	8.977
		23. BOLT, ³ / ₈ "—24 x 1 ³ / ₈ "	8.900



6 CYL.

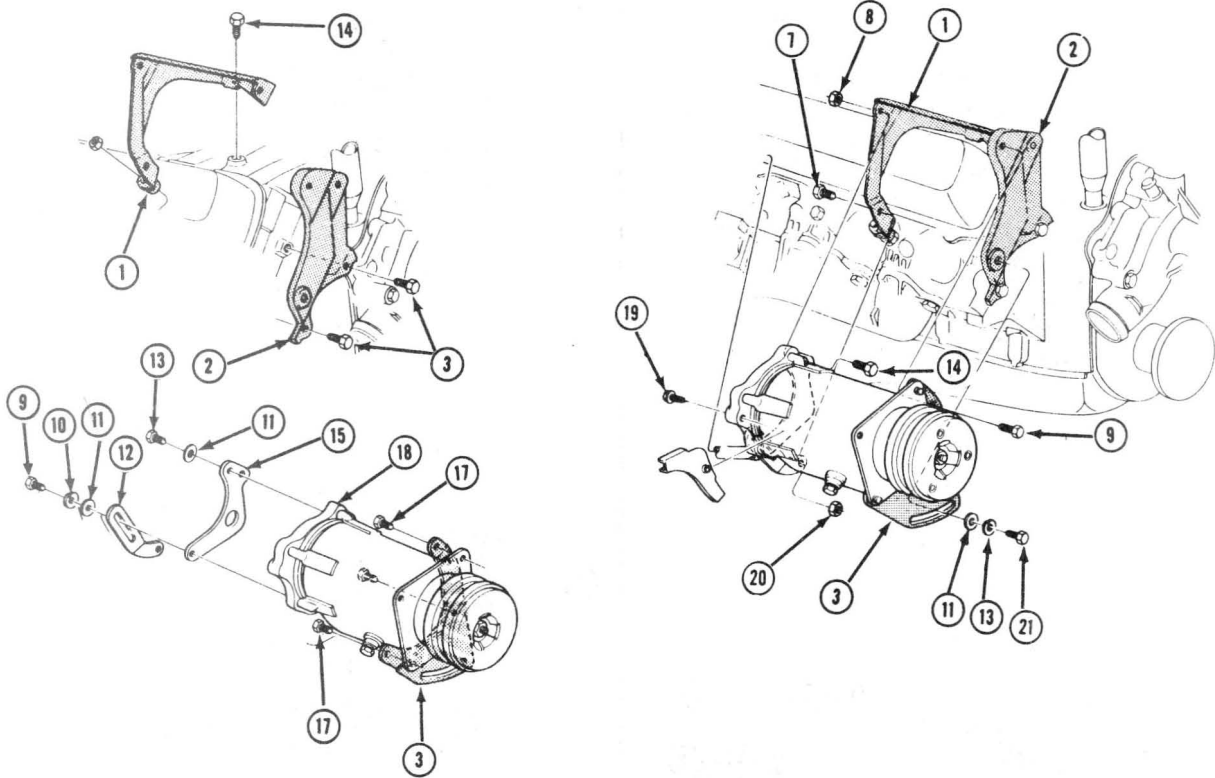


V-8

**1969 AIR CONDITIONING COMPRESSOR MOUNTING
 TYPICAL OF 1970-72**

Key	Description	Group
1	Nut - 3/8 - 16 - S.S.....	8.915
2	Bolt - 3/8 - 16 x 7/8 - S.S.....	8.900
3	Bracket, Air Conditioning Compressor - Front.....	9.171
4	Bolt - 3/8 - 16 x 1-1/8 - S.S.....	8.900
5	Bracket, Ignition Coil Mounting.....	2.183
6	Plate, Ignition Coil Mounting.....	2.183
7	Bracket, Air Conditioning Compressor - Rear.....	9.171
8	Support, Air Conditioning Compressor.....	9.171
9	Compressor, Air Conditioning.....	9.170
10	Nut - 5/16 - 24 - S.S.....	8.915

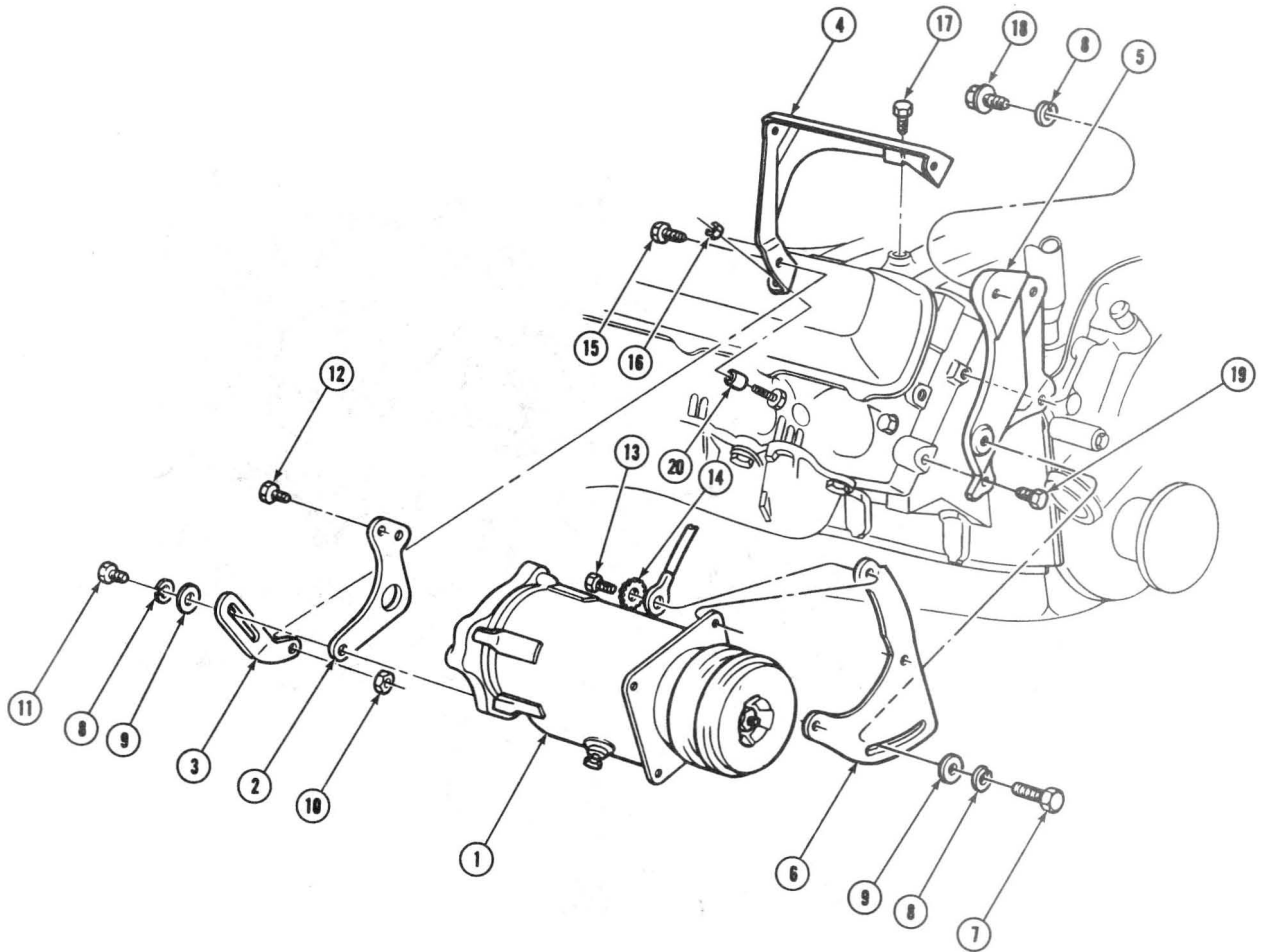
Key	Description	Group
11	Cable, Air Conditioning Compressor Clutch Ground.....	9.170
12	Bolt - 5/16 - 24 x 1/2 - S.S.....	8.900
13	Bolt - 3/8 - 16 x 1.....	8.900
14	Shim, Air Conditioning Compressor.....	9.171
15	Bolt - 3/8 - 16 x 1 - 1/4 - S.S.....	8.900
16	Bolt - 3/8 - 16 x 3 - S.S.....	8.900
17	Nut - 7/16 - 20 - S.S.....	8.915
18	Nut - 5/16 - 18 - S.S.....	8.915
19	Brace, Air Conditioning Compressor.....	9.171
20	Link, Air Conditioning Compressor.....	9.171



1973-74 AIR CONDITIONING COMPRESSOR MOUNTING

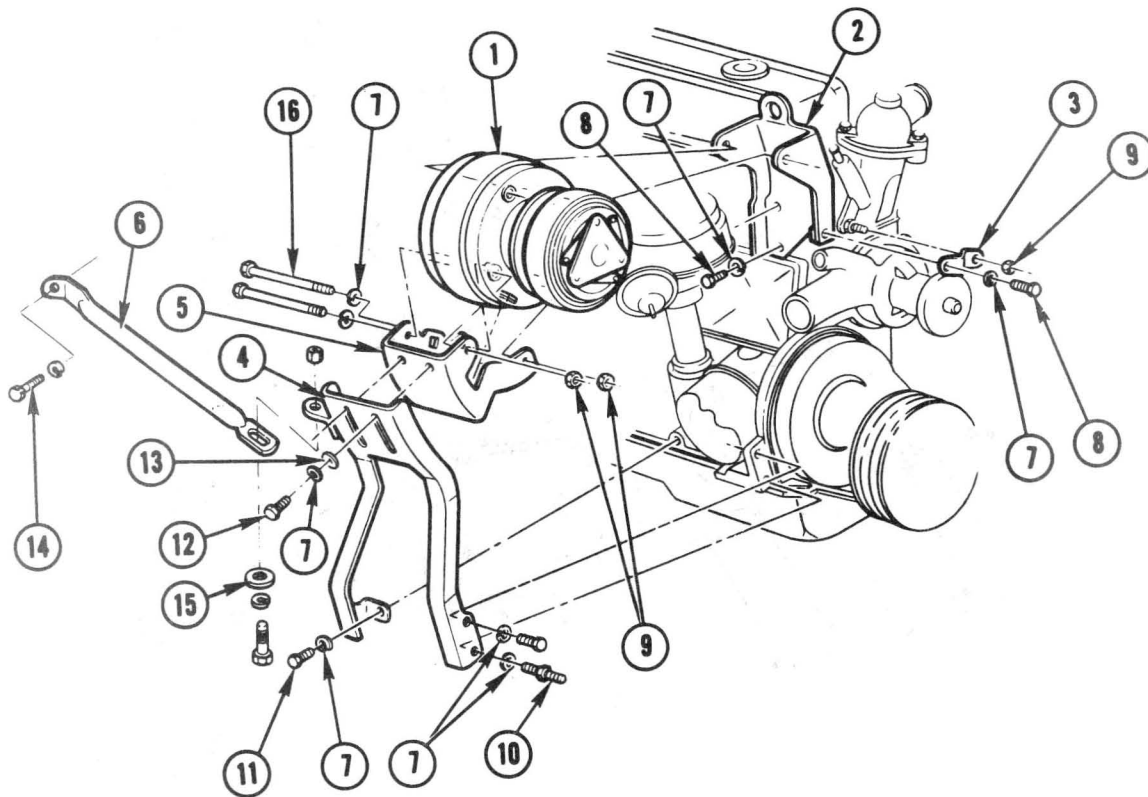
Key	Description	Group
1	Bracket, Compressor — Front	9.171
2	Bracket, Compressor — Rear	9.171
3	Link, Compressor — Front	9.171
7	Bolt	8.900
8	Nut	8.915
9	Bolt	8.900
10	Washer	8.931
11	Washer	8.929
12	Link, Compressor — Rear	9.171

Key	Description	Group
13	Bolt	8.900
14	Bolt	8.900
15	Support, Compressor	9.171
17	Bolt	8.900
18	Compressor, Air Conditioning	9.170
19	Screw	8.977
20	Nut	8.915
21	Bolt	8.900



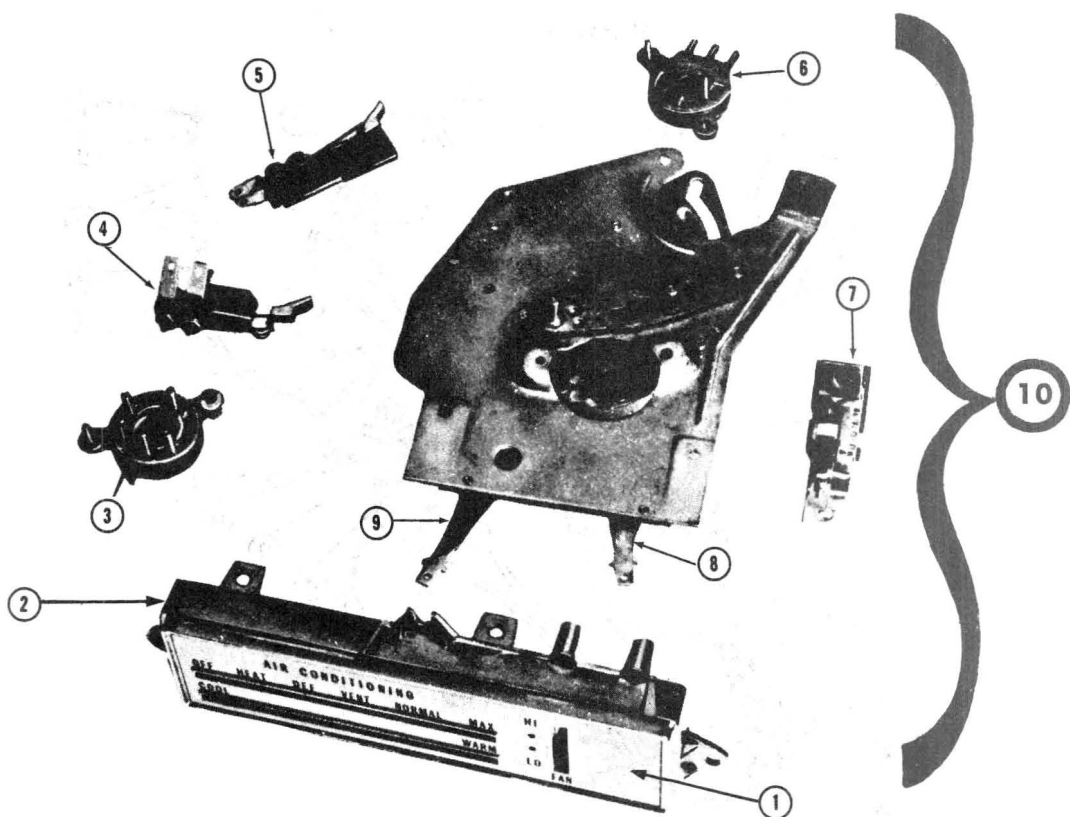
1976 260 8 CYL. ENGINE (LV8) A.C. COMPRESSOR MOUNTING

1. COMPRESSOR, A.C.	9.170
2. SUPPORT, Compressor-Rear	9.171
3. LINK, Comp. Adj.-Rear	9.171
4. BRACKET, Comp.-Rear	9.171
5. BRACKET, Comp.-Front	9.171
6. LINK, Comp. Adj.-Front	9.171
7. BOLT (3/8" - 16 x 1")	8.900
8. LOCKWASHER (3/8")	8.931
9. WASHER (3/8" Flat)	8.929
10. NUT (3/8")	8.915
11. BOLT (3/8" - 16 x 1 1/4")	8.900
12. BOLT (3/8" - 16 x 1")	8.900
13. BOLT (7/16" - 24 x 3/4")	8.900
14. LOCKWASHER (7/16" External)	8.932
15. BOLT (3/8" - 16 x 1 1/4")	8.900
16. NUT (7/16" - 20)	8.915
17. BOLT (3/8" - 16 x 3/4")	8.900
18. BOLT (3/8" - 16 x 1 7/16")	8.900
19. BOLT (3/8" - 16 x 1")	8.900
20. SPACER, Manifold Stud	9.171



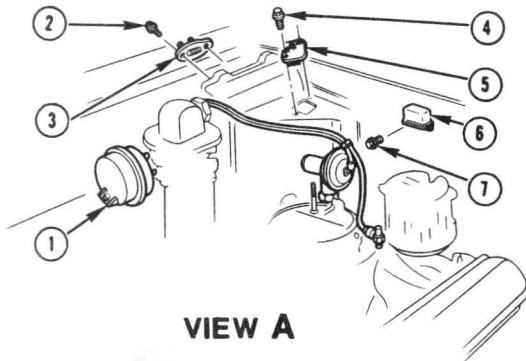
1976 6 CYL. ENGINE AIR CONDITIONING RADIAL COMPRESSOR MOUNTING—TYPICAL

1.	COMPRESSOR, Air Conditioner	9.170
2.	BRACKET ASM., Compressor	9.171
3.	SUPPORT, Bracket	9.171
4.	BRACE, Compressor Adjusting	9.171
5.	BRACKET ASM., To Brace Adjusting	9.171
6.	SUPPORT, Compressor Bracket	9.171
7.	LOCKWASHER (3/8")	8.931
8.	BOLT (3/8"—16 x 3/4")	8.900
9.	NUT (3/8"—16)	8.915
10.	STUD, Front Bracket to Cyl. Head	9.173
11.	BOLT (3/8"—16 x 1")	8.900
12.	BOLT (3/8"—16 x 7/8")	8.900
13.	WASHER, Flat (3/8")	8.929
14.	BOLT (3/8"—16 x 3/4")	8.900
15.	WASHER (3/8"—Push-On)	8.929
16.	BOLT (3/8"—16 x 4")	8.900

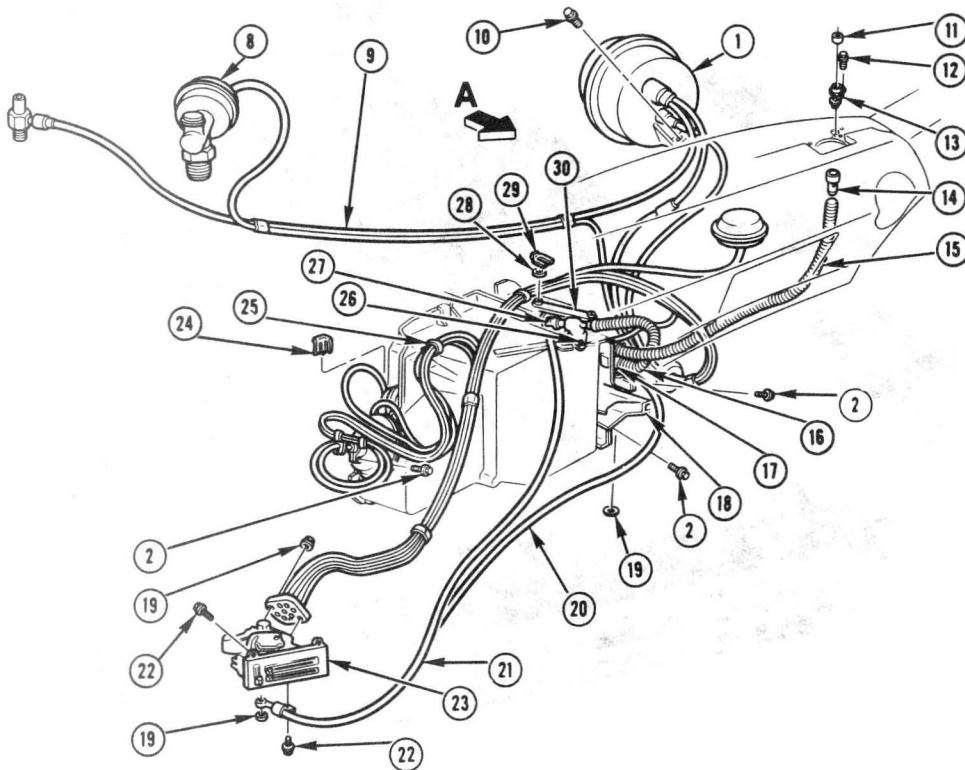


1971-72 MANUAL CAC CONTROLS DETAIL

Key	Description	Group
1	Applique, Heater and Air Conditioning Control	10.252
2	Escutcheon, Air Conditioner Control	9.273
3	Valve, Air Conditioning Dash Control Vacuum — Air Door	9.275
4	Switch, Air Conditioning — Compressor	9.275
5	Switch, Air Conditioning — Master — On Control	9.275
6	Valve, Air Conditioning Dash Control Vacuum — Hot Water	9.275
7	Switch, Air Conditioning — Fan Speed	9.275
8	Lever, Air Conditioner Control — Temperature	9.273
9	Lever, Air Conditioner Control — Selector	9.273
10	Control, Air Conditioning — Less Applique	9.273

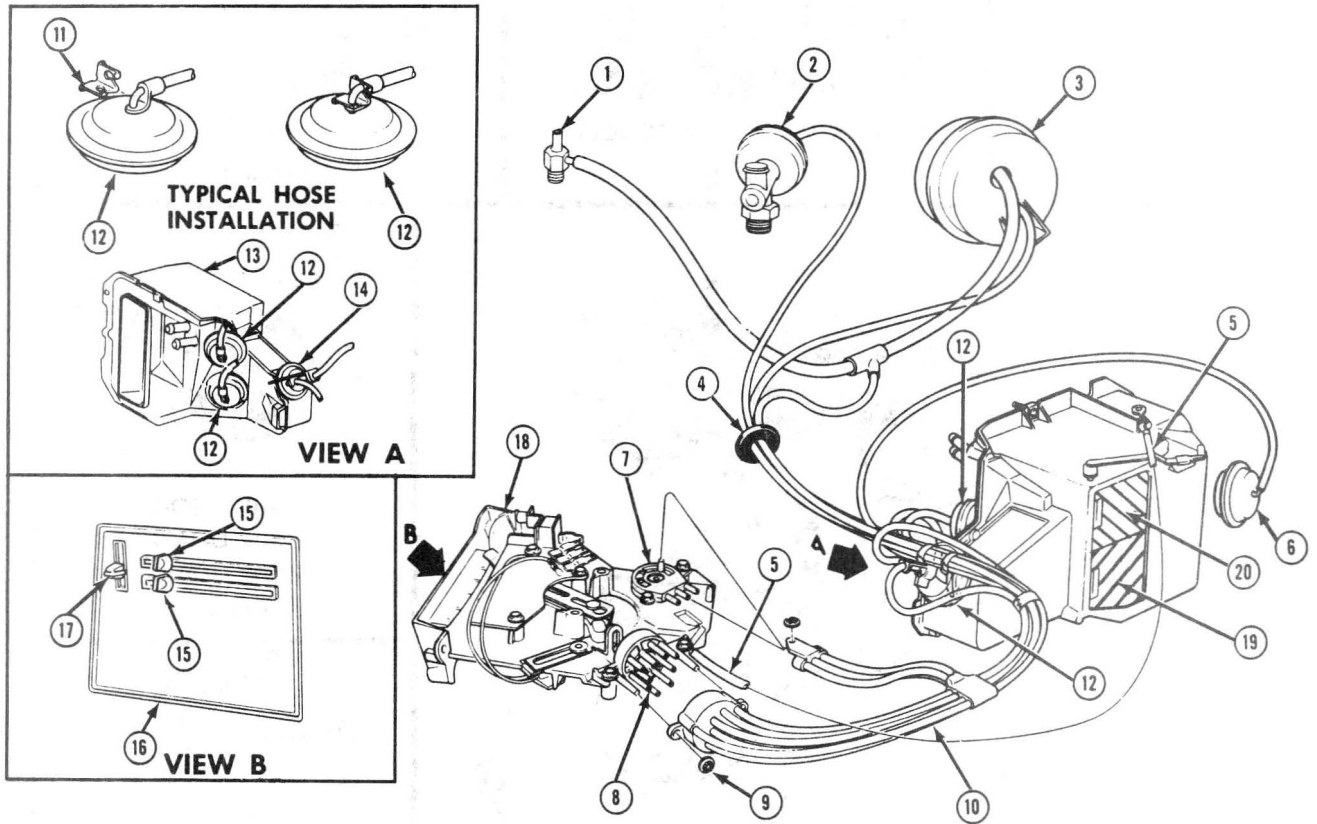


VIEW A



1976 "A" AIR CONDITIONING CONTROLS

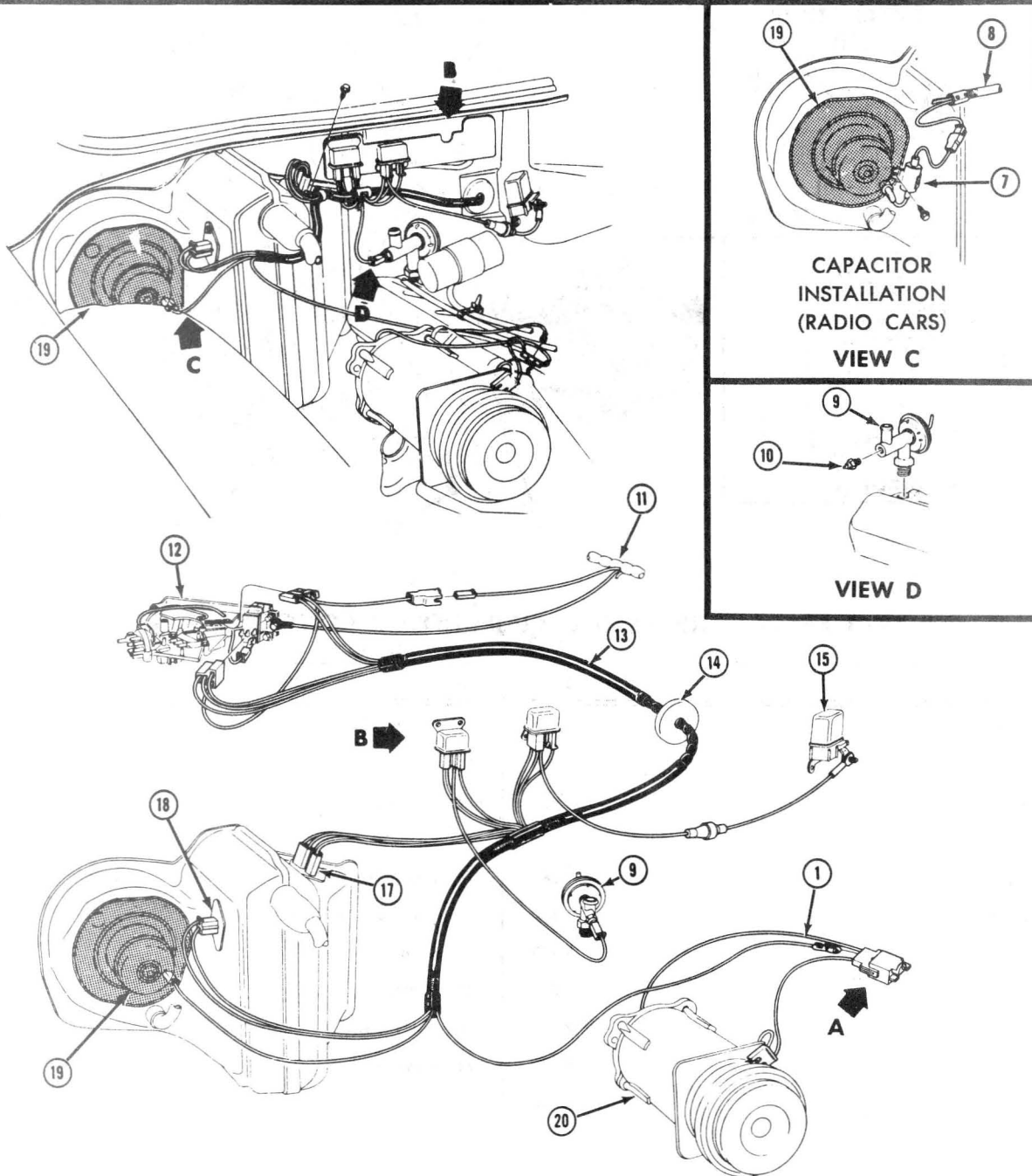
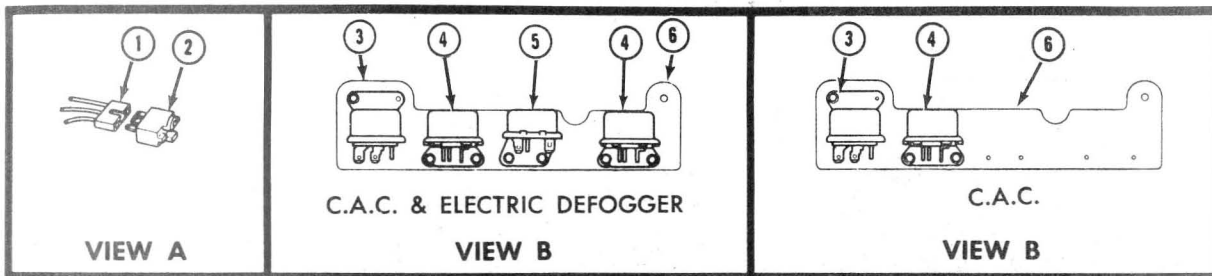
1. TANK, Vac. Storage	9.281	16. HOSE ASM., Vac., Aspirator	9.281
2. SCREW, 10—16 x 3/4"	8.977	17. CONNECTOR, Programmer	9.275
3. SWITCH, Ambient	9.275	18. PROGRAMMER ASM., A.C. Control	9.275
4. SCREW, 10—16 x 1/2"	8.977	19. NUT, Push On (5/32")	9.787
5. RESISTOR ASM., A.C. Blower	9.275	20. CABLE ASM., Temp. Control	9.787
6. RELAY ASM., A.C. Blower	9.277	21. CABLE UNIT, Bowden Wire Repair	9.787
7. SCREW, 10—16 x 1/2"	8.977	22. SCREW, 8—18 x 11/16"	8.977
8. VALVE ASM., Water Control	9.795	23. CONTROL ASM., A.C.	9.273
9. HOSE ASM., Vacuum	9.281	24. CLIP, Heater Vac. Cont. Hose	N.S.
10. SCREW, 1/4"—14 x 5/8"	8.977	25. CLIP, Harness to Heater	N.S.
11. SEAL, Sensor Adapt. Air	9.281	26. RIVET, 1/8" Dome Head	8.967
12. SCREW, 8—18 x 11/16"	8.977	27. ASPIRATOR ASM.	9.275
13. ADAPTER, Sensor Hose	9.281	28. WASHER, 13/32" External Tooth Lock	8.932
14. CONNECTOR, Sensor Hose	9.281	29. RETAINER, Programmer Link	9.786
15. HOSE ASM., Vac., Sensor to Prog.	9.281	30. LINK ASM., Prog. to Head, A.C.	9.275



1973 AIR CONDITIONING VACUUM HOSE & CONTROL DETAILS

Key	Description	Group
1	Connector	3.278
2	Valve	9.795
3	Tank	8.850
4	Grommet	9.775
5	Cable	9.281
6	Diaphragm	8.858
7	Valve	9.280
8	Valve	9.280
9	Spring Nut	9.787
10	Hose	9.281
11	Clip	8.852

Key	Description	Group
12	Diaphragm	8.858
13	Heater	8.854
14	Diaphragm	8.850
15	Knob	8.852
16	Applique (w/clock)	10.252
	Applique (exc. clock)	10.252
17	Knob	8.853
18	Control	9.273
19	Valve (lower)	9.786
20	Valve (upper)	9.786



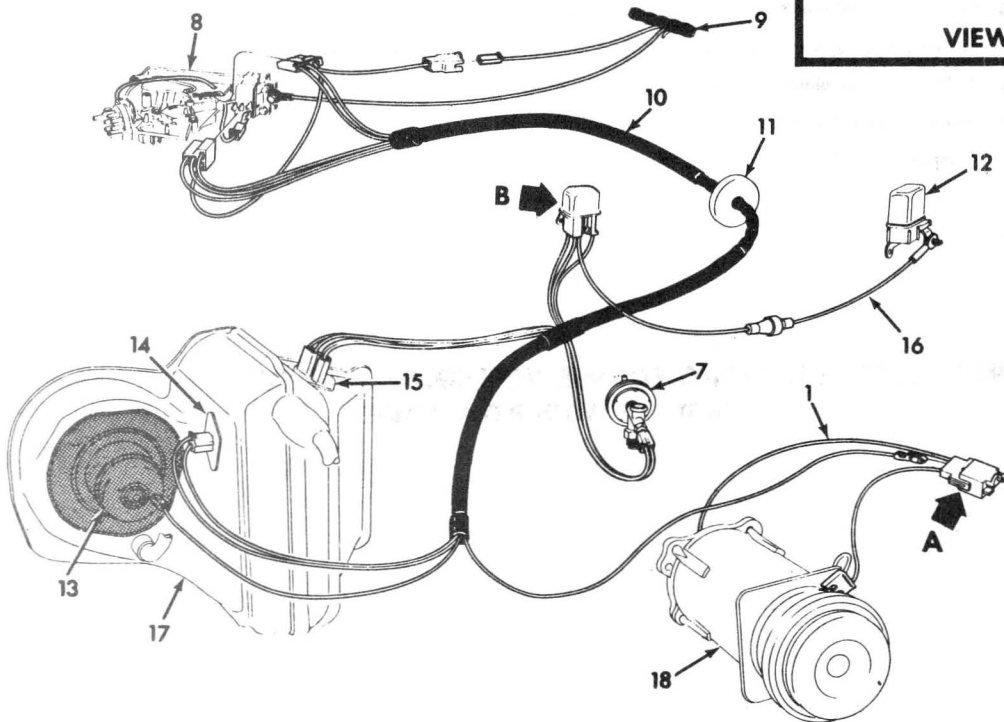
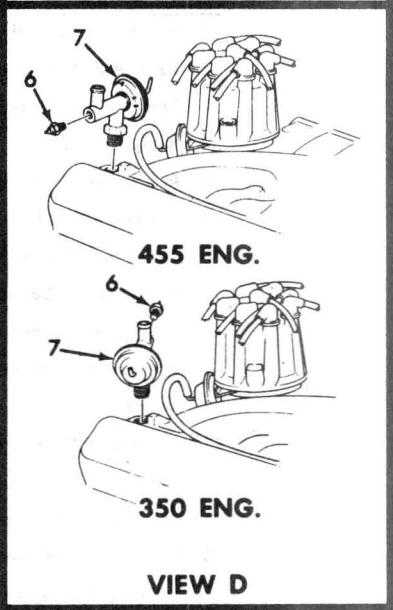
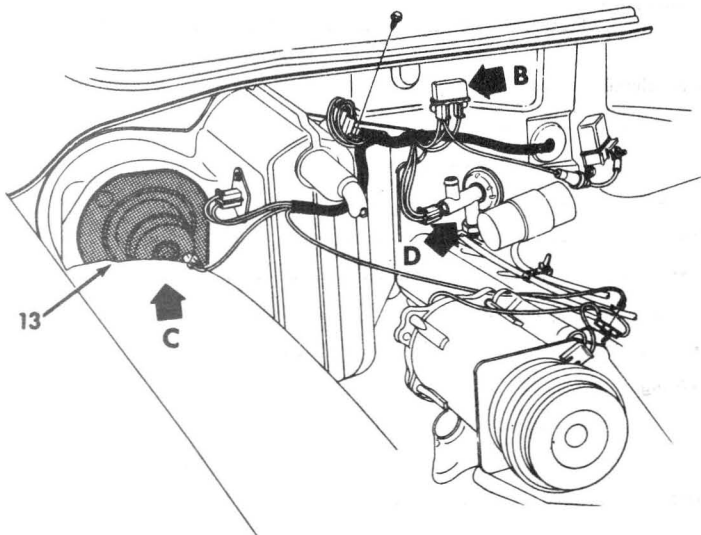
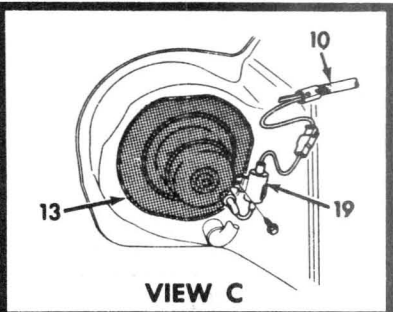
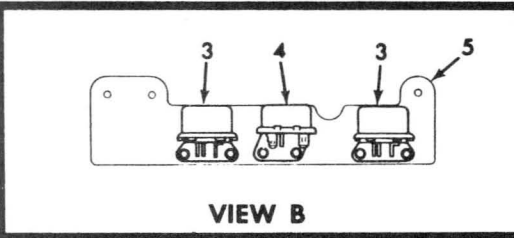
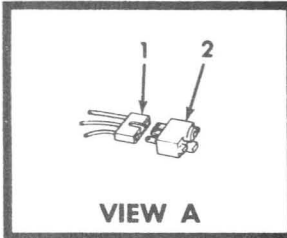
(FIRST TYPE WITH P.O.A. VALVE)

1973 AIR CONDITIONING ENGINE, WIRING, RELAY AND SWITCH DETAILS



Key	Description	Group
1	Harness, A.C. Wiring	9.172
2	Fuse, A.C. Compressor Thermo Limiter	9.172
3	Relay, A.C. — Low Range	9.277
4	Relay, A.C. Blower	9.277
5	Relay, Electric Defogger — Upper	9.778
6	Bracket, A.C. Relay Mounting	9.275
7	Capacitor, Heater Blower Feed Thru	9.663
9	Valve, Water Control	9.795
10	Switch, A.C. Thermo Blower	9.275
11	Harness, Instrument Panel Wiring	2.480
12	Control, A.C.	9.273
13	Harness, A.C. Wiring	9.276
14	Grommet, Wiring Harness Hole	9.775
15	Block, Horn Relay and Junction	2.815
16	Fusible Link, Wiring Harness	2.480
17	Resistor, A.C. Blower	9.275
18	Switch, A.C. Ambient	9.275
19	Motor, Heater Blower	8.855
20	Compressor, A.C.	9.170

1973 AIR CONDITIONING ENGINE, WIRING, RELAY & SWITCH DETAILS
(FIRST TYPE WITH P.O.A. VALVE)

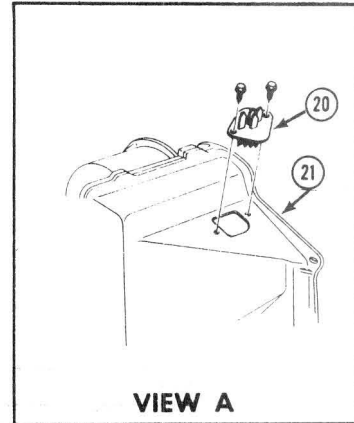
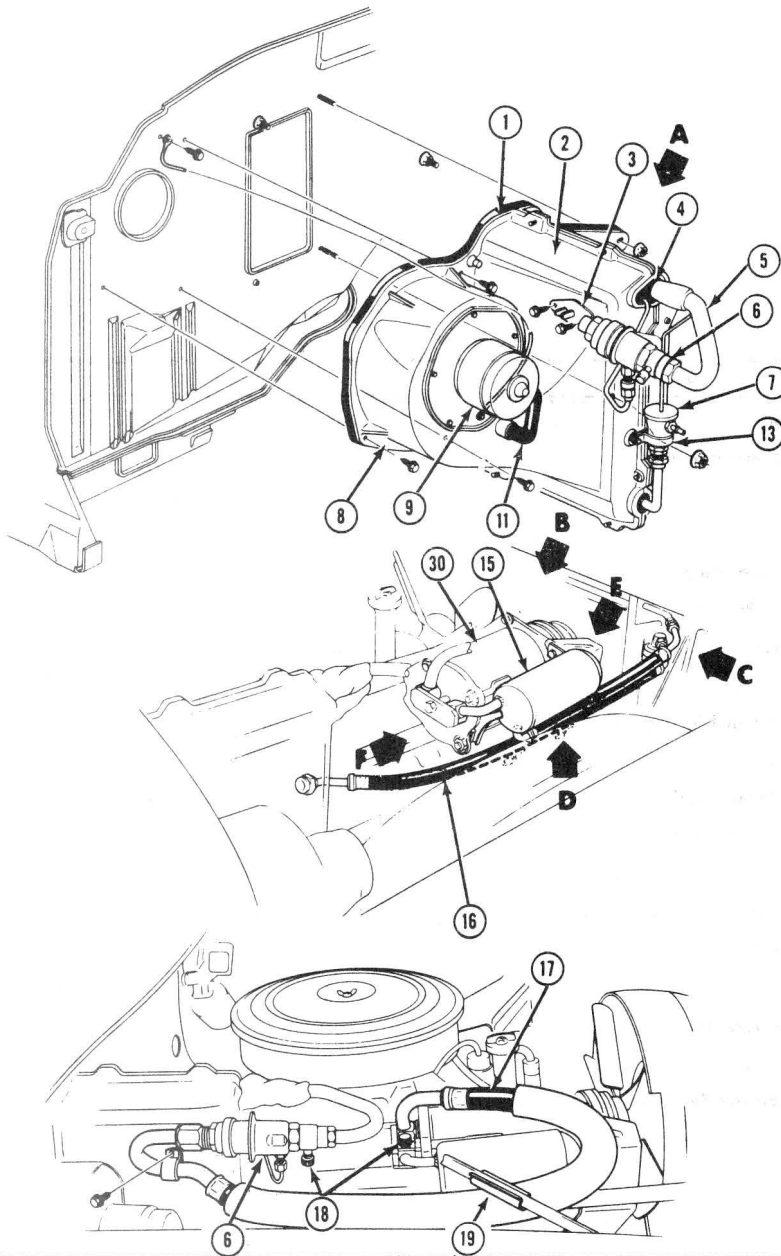


(WITH V.I.R. VALVE SECOND TYPE)
1973 AIR CONDITIONING ENGINE, WIRING, RELAY AND SWITCH DETAILS

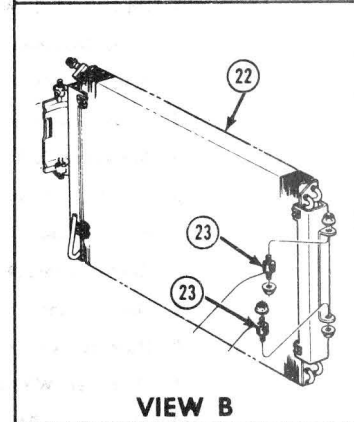
Key	Description	Group
1	Harness, A.C. Wiring	9.172
2	Fuse, Compressor Thermal Limiter	9.172
3	Relay, Blower	9.277
4	Relay, Defogger	9.778
5	Bracket, A.C. Relay Mounting	9.275
6	Switch, A.C. Thermo Blower	9.275
7	Valve, Water Control	9.795
8	Control Asm., A.C.	9.273
9	Harness, Instrument Panel Wiring	2.480
10	Harness, A.C. Wiring	9.276
11	Grommet, Wiring Harness Hole	9.775
12	Block, Horn Relay and Junction	2.815
13	Motor and Fan	9.215
14	Switch, A.C. Ambient	9.275
15	Resistor, A.C. Blower	9.275
16	Link, Fusible	2.480
17	Evaporator and Blower, A.C.	9.210
18	Compressor, A.C.	9.170
19	Capacitor, Heater Blower Feed Thru	9.663

(WITH V.I.R. VALVE SECOND TYPE)

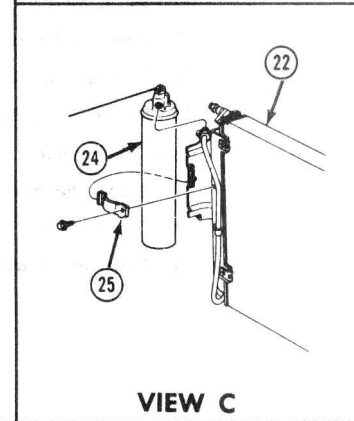
1973 AIR CONDITIONING ENGINE, WIRING, RELAY AND SWITCH DETAILS



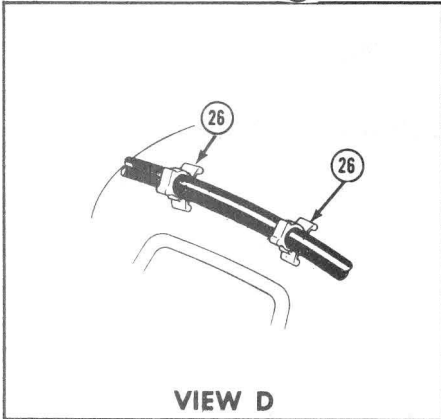
VIEW A



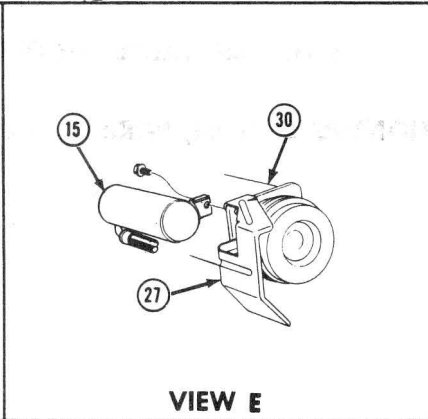
VIEW B



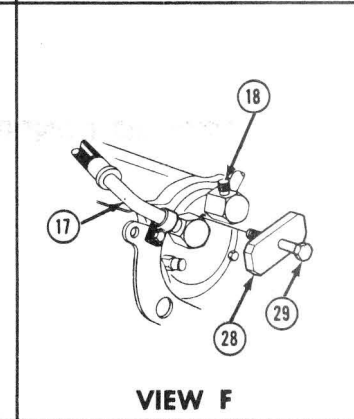
VIEW C



VIEW D



VIEW E



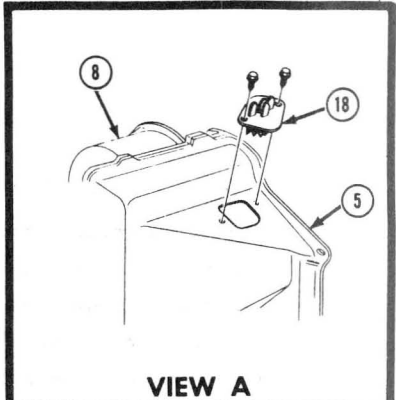
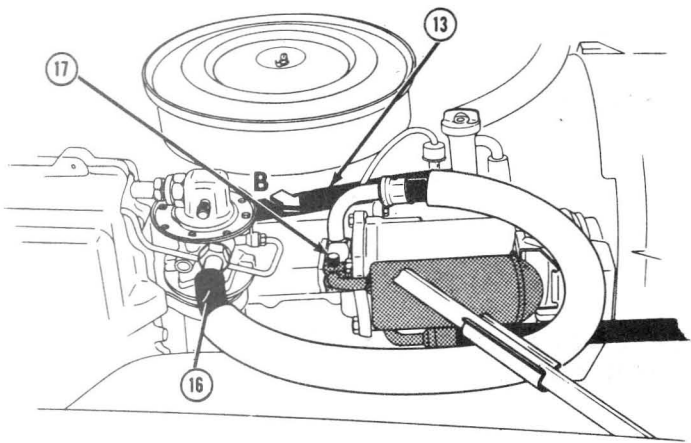
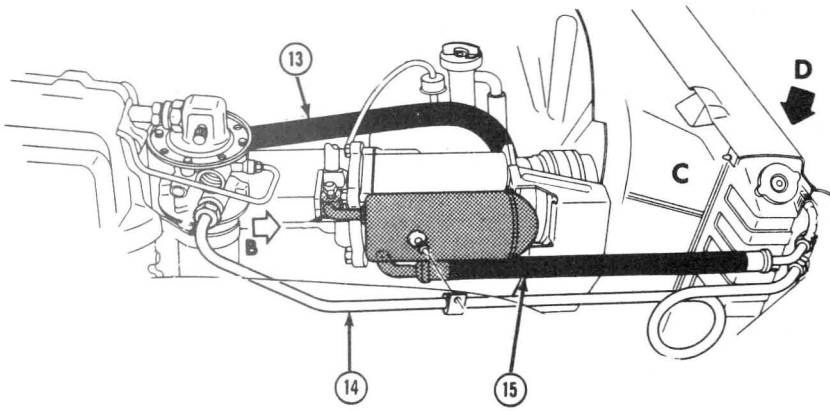
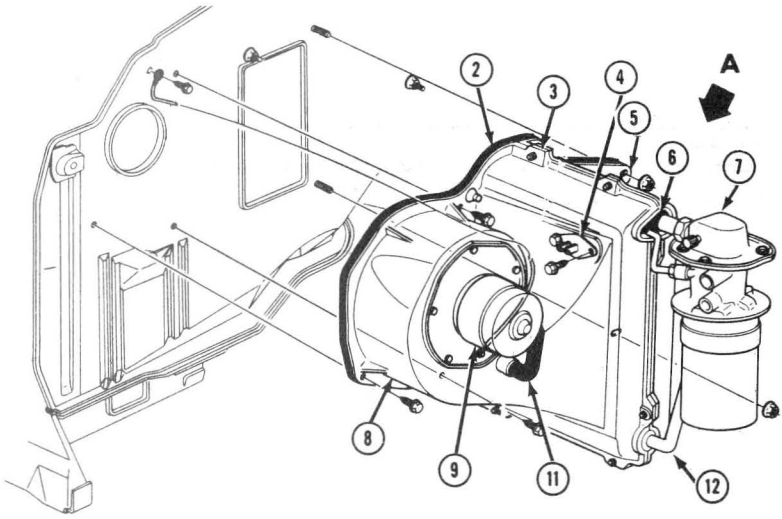
VIEW F

(FIRST TYPE)

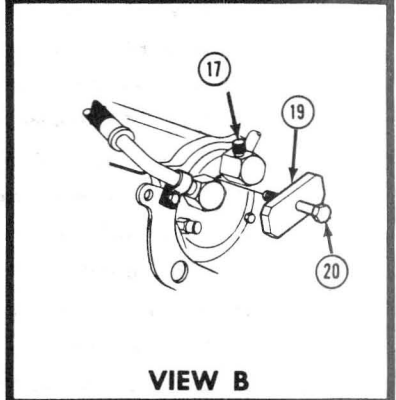
1973 EVAPORATOR, CONDENSER AND HOSE ROUTING DETAILS

Key	Description	Group
1	Gasket, A.C. Evaporator and Blower	9.211
2	Evaporator and Blower, A.C.	9.210
3	Switch, A.C. Ambient	9.275
4	Grommet, A.C. Inlet Pipe	9.775
5	Core and Fittings, A.C. Evaporator	9.210
6	Valve, P.O.A.	9.198
7	Valve, A.C. Refrigerant Expansion	9.213
8	Case, A.C. Evaporator	9.211
9	Motor and Fan, A.C. Blower	9.215
11	Tube, Heater Blower Motor Cooling	9.218
13	Bracket, A.C. Expansion Valve	9.213
15	Hose and Muffler, A.C. Discharge	9.225
16	Hose, A.C. Receiver To Evaporator	9.231
17	Hose, A.C. Compressor To P.O.A. Valve	9.238
18	Cap, A.C. Throttling Valve	9.198
	Core, A.C. Throttling Valve	9.198
	Seal, Throttling Valve Cap	9.198
19	Shield, Fender To Cowl Brace	8.141
20	Resistor, A.C. Blower	9.275
21	Case, A.C. Evaporator	9.211
22	Condenser, A.C.	9.190
23	Insulator, Condenser	9.190
24	Receiver, A.C.	9.195
25	Clamp, Receiver To Condenser	9.196
26	Clip, Wiring Harness To Filler Plate	2.559
27	Shield, A.C. Compressor Pulley	9.171
28	Plate, A.C. Suction and Discharge Hose Retaining	9.226
29	Bolt	8.900
30	Compressor, A.C.	9.170

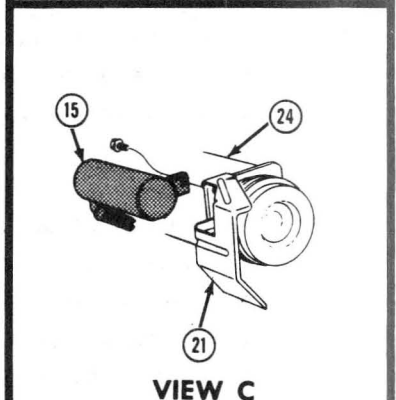
**1973 EVAPORATOR, CONDENSER AND HOSE ROUTING DETAILS
(FIRST TYPE)**



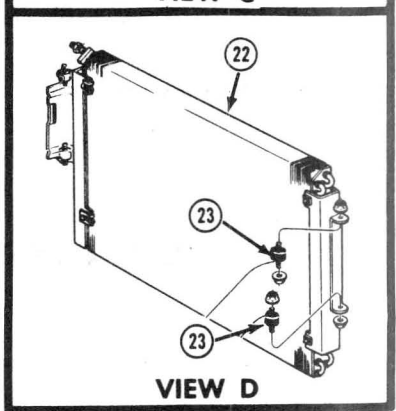
VIEW A



VIEW B



VIEW C

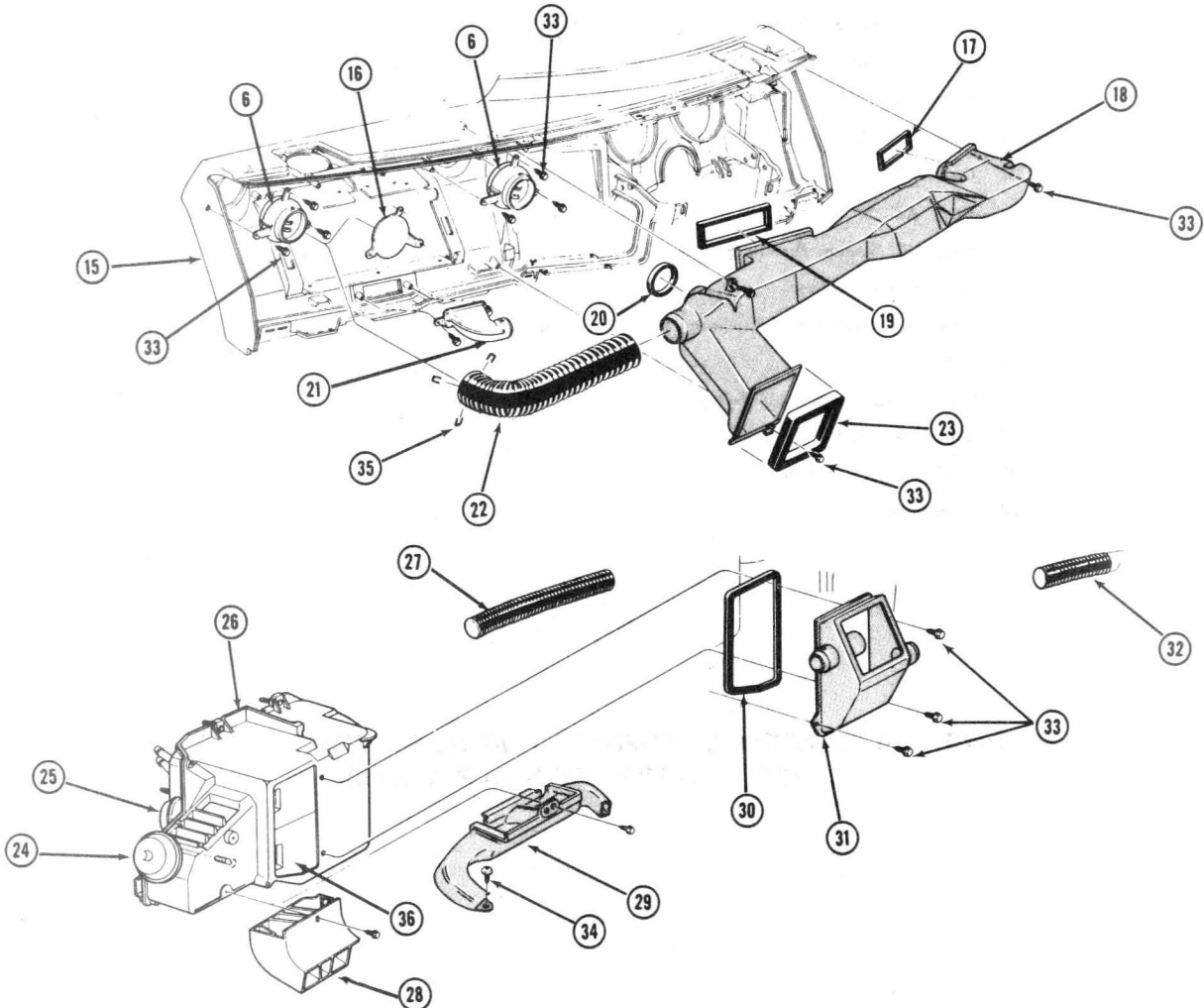
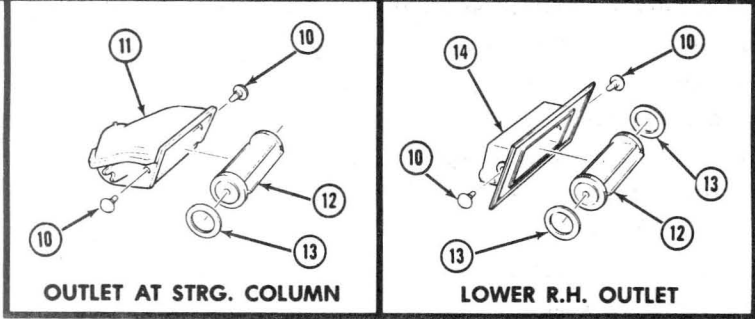
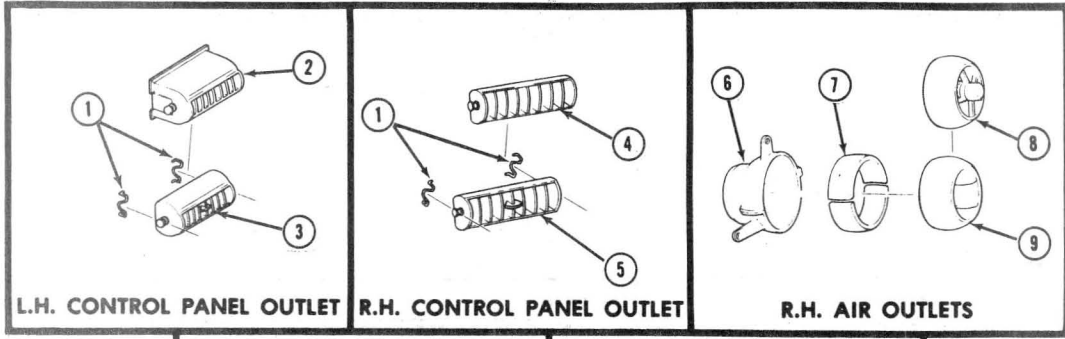


VIEW D

(SECOND TYPE WITH V.I.R. VALVE)
1973 EVAPORATOR, CONDENSER AND HOSE ROUTING DETAILS

Key	Description	Group
2	Gasket, A.C. Evaporator and Blower	9.211
3	Evaporator and Blower, A.C.	9.210
4	Switch, A.C. Ambient	9.275
5	CASE, A.C. Outlet	9.211
6	Grommet, A.C. Evaporator Pipe	9.775
7	Valve, V.I.R. Expansion	9.213
8	Case, A.C. Inlet	9.211
9	Motor and Fan, A.C. Blower	9.215
11	Tube, Blower Motor	9.218
12	Core and Fittings, A.C. Evaporator	9.210
13	Hose, Heater To Nipple	8.846
14	Pipe, A.C. Condenser To Valve In Receiver	9.231
15	Hose and Muffler, A.C. Discharge	9.225
16	Hose, A.C. Compressor To P.O.A. Valve	9.238
17	Cap, A.C. Compressor Throttling Valve	9.198
	Core, A.C. Suction Throttling Valve	9.198
	Seal, A.C. Suction Throttling Valve Cap	9.198
18	Resistor, A.C. Blower	9.275
19	Plate, A.C. Suction and Discharge Hose Retaining	9.226
20	Bolt	8.900
21	Shield, A.C. Compressor Pulley	9.171
22	Condenser, A.C.	9.190
23	Insulator, A.C. Condenser	9.190
24	Compressor, A.C.	9.170

**1973 EVAPORATOR, CONDENSER AND HOSE ROUTING DETAILS
(SECOND TYPE WITH V.I.R. VALVE)**



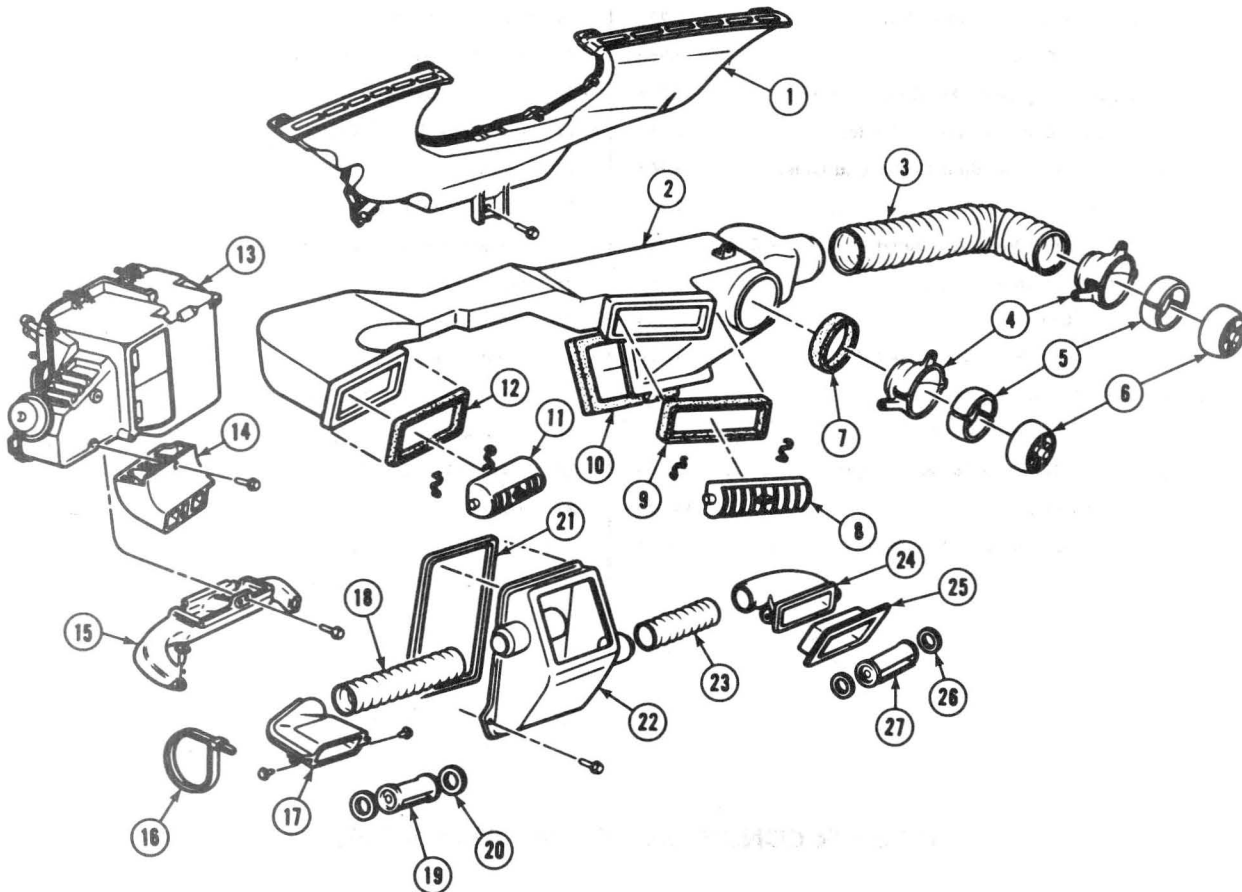
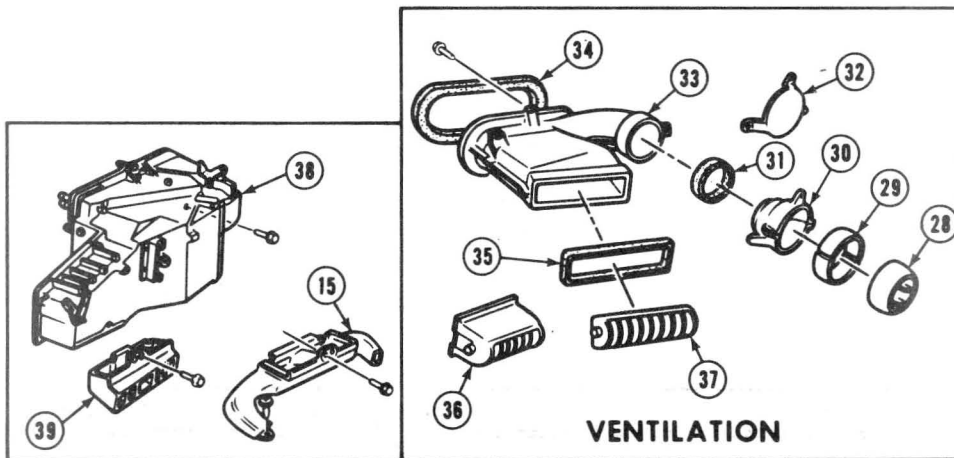
1973 AIR CONDITIONING AND HEATER DETAILS

Key	Description	Group
1	Retainer, A.C. Deflector — End Outlet	9.264
2	Cover, Upper Level Vent Outlet — Left	9.264
3	Deflector, A.C. Air Outlet — Left	9.264
4	Deflector, Upper Level Vent. Air Outlet — Center	9.789
5	Deflector, A.C. Air Outlet — Left — Center	9.264
6	Retainer, A.C. Deflector — Right Center and Outer	9.264
7	Liner, Air Outlet	9.264
8	Deflector, Upper Level Vent. Air Outlet — Right — Center	9.789
9	Deflector, A.C. Air Outlet	9.264
10	Pin, A.C. Lower Outlets	9.264
11	Housing, A.C. Air Outlet — Lower — Left	9.264
12	Vane — N.S.S. Part of Key #11	—
13	Washer — N.S.S. Part of Key #11	—
14	Housing, A.C. Air Outlet — Lower — Right	9.264
15	Pad, Instrument Panel	14.655
16	Cover, Upper Level Vent Outlet — Right	9.264

Key	Description	Group
17	Seal, A.C. Deflector — Upper — Left Hand Outlet	9.264
18	Duct, Air Outlet	9.257
19	Seal, A.C. Deflector — Upper — Center Outlet	9.264
20	Seal, A.C. Deflector — Center Outlet — Right	9.264
21	Adapter, A.C. End Outlet — Lower — Right	9.257
22	Hose, A.C. Air Outlet — Right	9.257
23	Seal, Manifold To Duct	9.263
24	Vacuum Element, Defroster	9.779
26	Heater Asm.	8.854
28	Outlet, Heater	8.858
29	Outlet, Heater Air	9.789
30	Gasket, Manifold To Heater	9.236
31	Manifold, A.C.	9.263
33	Screw (10 - 16 x 3/4)	8.977
34	Screw (1/4 - 14 x 1/2)	8.977
36	Valve, Heater Diverter	9.786

N.S.S. — Not Serviced Separately.

1973 AIR CONDITIONING AND HEATER DETAILS

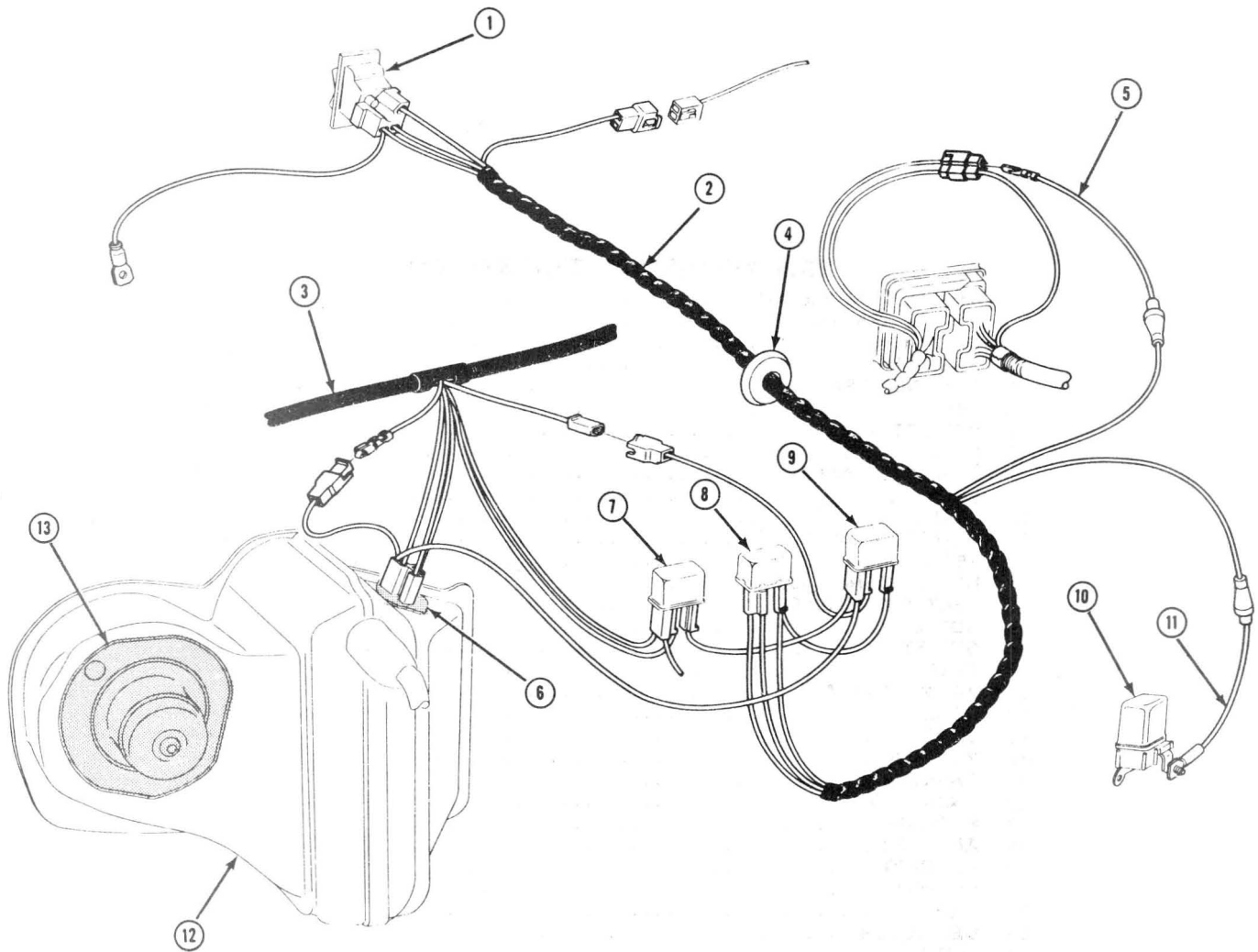


1976 AIR DISTRIBUTION SYSTEM



1976 AIR DISTRIBUTION SYSTEM

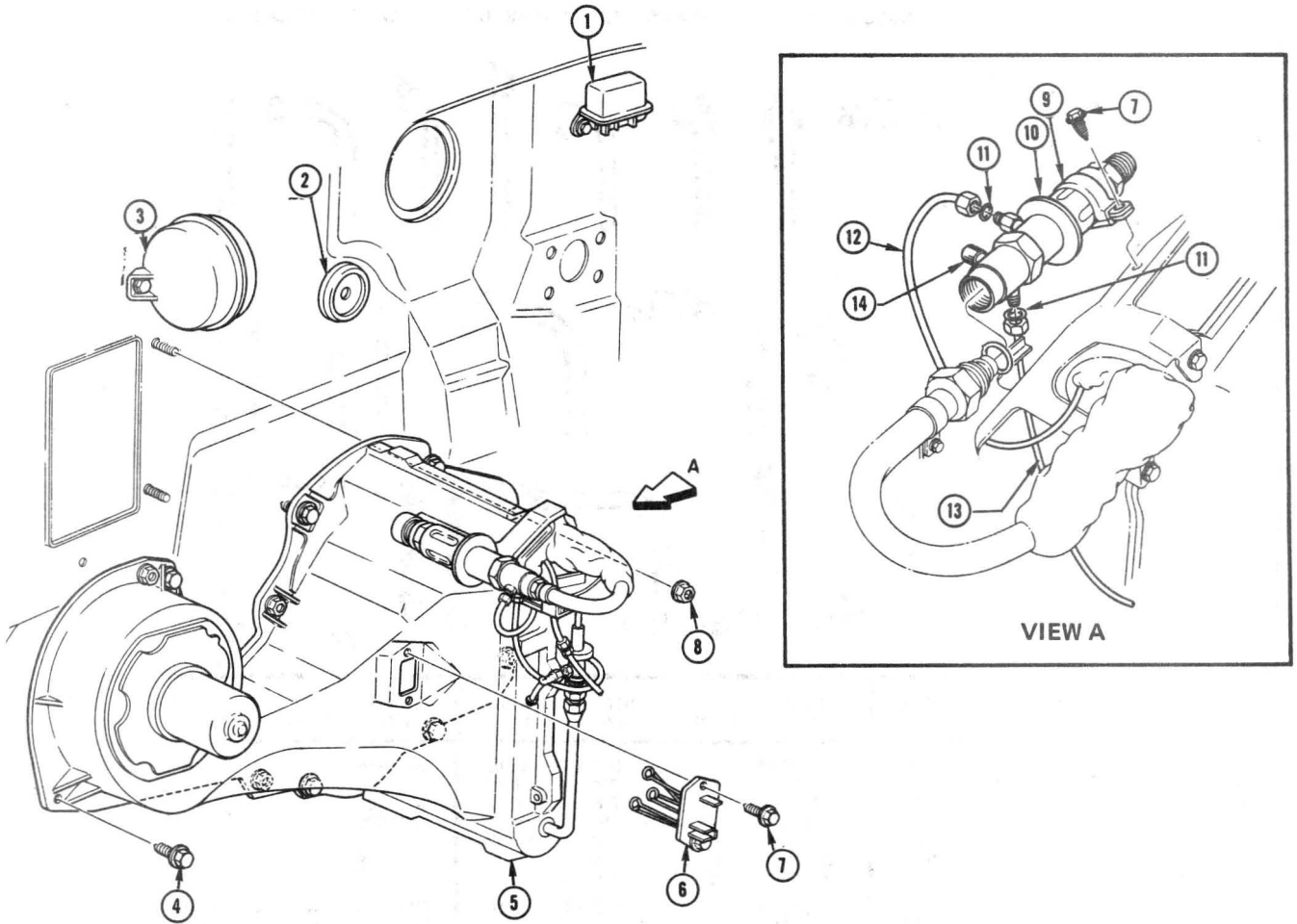
1. NOZZLE ASM. (exc. A/C)	9.779
NOZZLE ASM. (A/C)	9.779
2. DUCT ASM.	9.262
3. HOSE, RH	9.260
4. RETAINER ASM.	9.264
5. LINER	9.264
6. DEFLECTOR	9.264
7. SEAL	9.262
8. DEFLECTOR ASM.	9.264
9. SEAL	9.262
10. SEAL	9.262
11. DEFLECTOR ASM.	9.264
12. SEAL	9.262
13. HEATER ASM. (C60)	8.854
HEATER ASM. (C65)	8.854
14. OUTLET	9.786
15. OUTLET	9.262
16. STRAP	2.559
17. ADAPTER ASM.	9.262
18. HOSE	9.260
19. VANE	9.264
20. WASHER	9.264
21. GASKET	9.262
22. MANIFOLD	9.263
23. HOSE, RH	9.260
24. ADAPTER	9.264
25. HOUSING	9.264
26. WASHER	9.264
27. VANE	9.264
28. DEFLECTOR	9.264
29. LINER	9.264
30. RETAINER ASM.	9.264
31. SEAL	9.262
32. COVER	9.264
33. ADAPTER ASM.	9.789
34. SEAL	9.789
35. SEAL	9.262
36. COVER, LH	9.264
37. DEFLECTOR	9.264
38. HEATER ASM.	8.854
39. OUTLET ASM.	9.786



1973 ELECTRIC REAR WINDOW DEFOGGER WIRING (WITH A.C.)

Key	Description	Group
1	Switch, R.R. Window Defogger	9.778
2	Harness, R.R. Window Defogger — Front	9.778
3	Harness, A.C. Wiring	9.276
4	Grommet, Wiring Harness Hole	9.775
5	Link, Fusible	2.480
6	Resistor, A.C. Blower	9.275
7	Relay, Blower	9.277

Key	Description	Group
8	Relay, Defogger — Upper	9.778
9	Relay, Defogger — Lower	9.778
10	Block, Horn Relay and Junction	2.815
11	Link, Fusible	2.480
12	Evaporator and Blower, A.C.	9.210
13	Motor and Fan	9.215



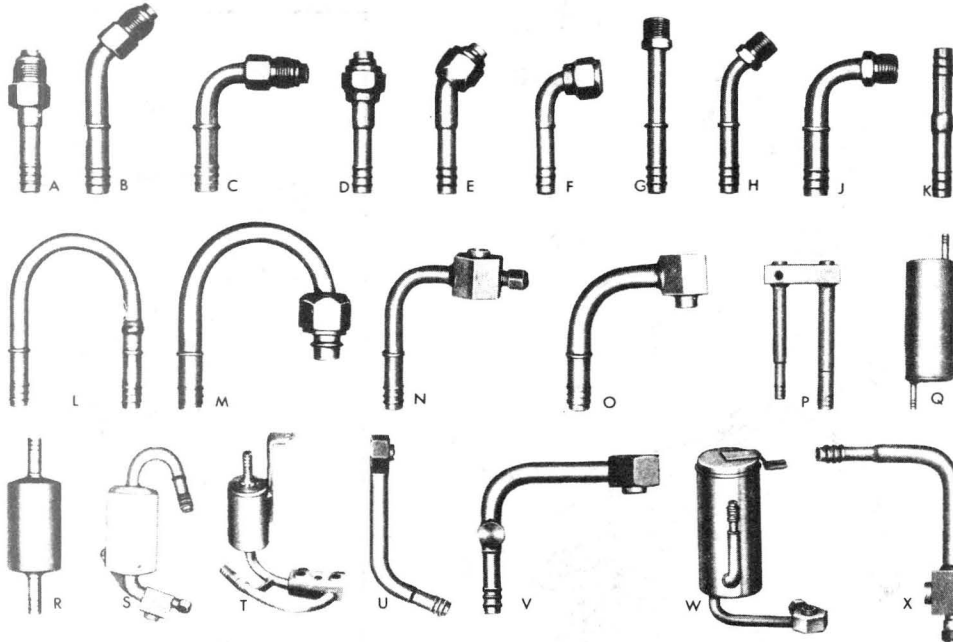
AIR CONDITIONING DASH PANEL COMPONENTS

Key	Description	Group
1	Relay, Air Conditioning Compressor.....	9.277
2	Grommet, Air Conditioning Vacuum Hoses and Harness..	9.281
3	Tank, Air Conditioning Vacuum.....	9.281
4	Screw - S.S.....	8.977
5	Evaporator and Blower, Air Conditioning.....	9.210
6	Resistor, Air Conditioning Blower.....	9.275
7	Screw - No. 10 - 16 x 1/2 - S.S.....	8.977

Key	Description	Group
8	Nut - 1/4 - 20 - S.S.....	8.915
9	Clamp, Suction Throttling Valve.....	9.199
10	Valve, Air Conditioning Suction Throttle.....	9.198
11	Gasket, Air Conditioning Evaporator Expansion Valve...	9.214
12	Line, Bleed.....	N.L.
13	Line, Equalizer.....	N.L.
14	Cap, Air Conditioning Compressor Throttling Valve.....	9.198

Hose Fitting Packages and Related Parts, Air Conditioning Refrigerant

HOSE FITTINGS PACKAGES INCLUDE "O" RINGS AND CLAMPS REQ'D. FOR INSTALLATION.



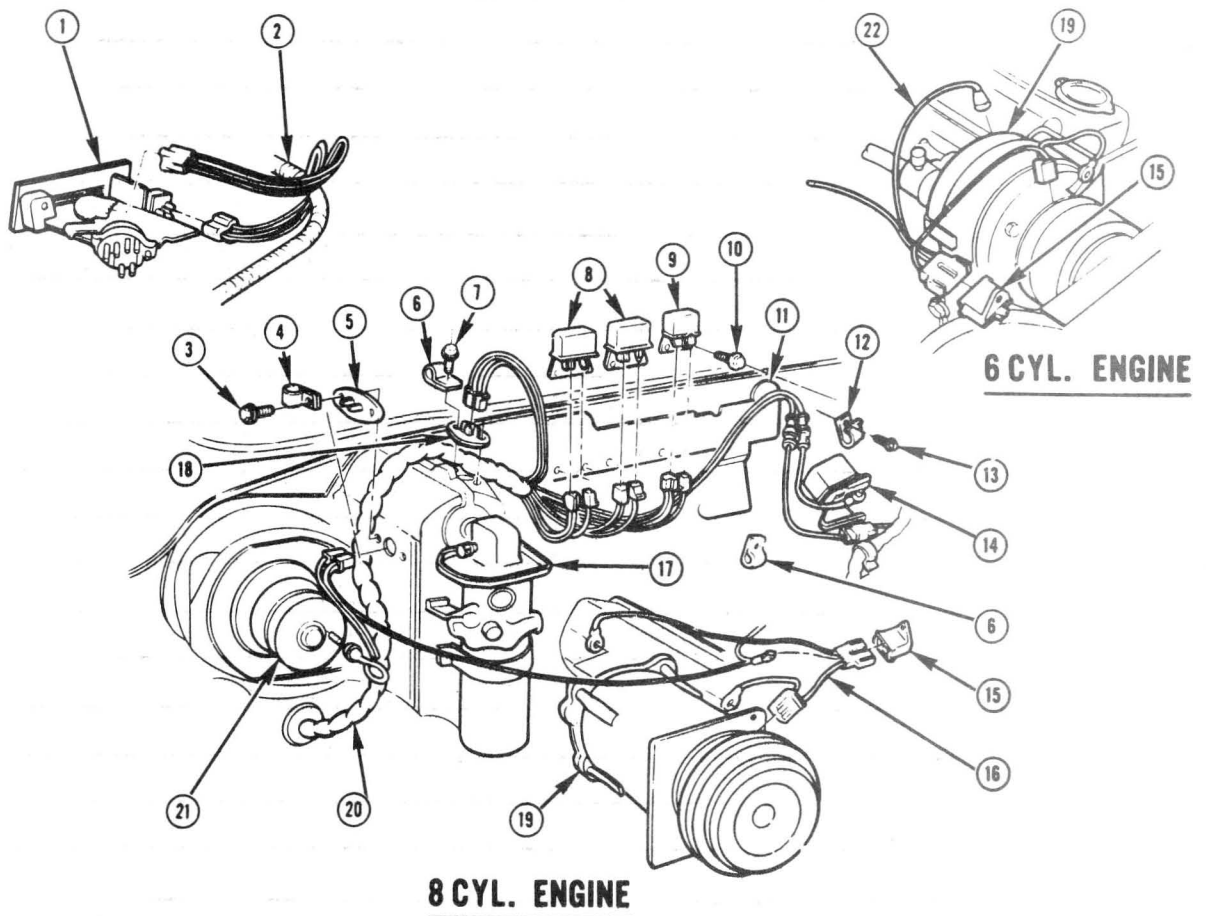
PART NO.	TYPE	THREAD SIZE	HOSE I.D.	PART NO.	TYPE	THREAD SIZE	HOSE I.D.	PART NO.	TYPE	THREAD SIZE	HOSE I.D.
3024535	A	11/16-16	5/16	3023674	E	5/8-18	5/16	3023686	K		5/16
3023691	A	5/8-18	5/16	3023675	E	3/4-16	13/32	3023687	K		13/32
3023692	A	3/4-18	13/32	3023676	E	7/8-14	1/2	3023688	K		1/2
3023693	A	7/8-18	1/2	3023677	E	1- 1/16-14	5/8	3023689	K		5/8
3023694	A	1- 1/16-16	5/8	3023678	E	5/8-18	13/32	3023718	L		1/2
3023695	A	5/8-18	13/32	3023679	E	3/4-16	1/2	3023719	L		5/8
3023696	A	3/4-18	1/2	3023680	E	7/8-14	5/8	3024791	M	5/8-18 (Male)	5/16
3023668	B	5/8-18	5/16	3023657	F	5/8-18	5/16	3023722	M	1 1/16-14(Female)	5/8
3023669	B	3/4-18	13/32	3023658	F	3/4-16	13/32	3023715	N		13/32
3023670	B	7/8-18	1/2	3023659	F	7/8-14	1/2	3023716	N		1/2
3023671	B	1- 1/16-16	5/8	3023660	F	1- 1/16-14	5/8	3023717	O		5/8
3023672	B	5/8-18	13/32	3023661	F	5/8-18	13/32	3023721	P		13/32-5/8
3023673	B	3/4-18	1/2	3023662	F	3/4-16	1/2	3023720	Q		13/32
3024537	C	11/16-16	5/16	3023663	F	7/8-14	5/8	*3981880	R		1/2
3023651	C	5/8-18	5/16	3024534	G	5/8-18	5/16	*3923139	S		1/2-5/8
*3925751	C	11/16-16	13/32	3023711	G	5/8-18	13/32	*3970541	T		1/2-5/8
3023652	C	3/4-18	13/32	3027763	G	3/4-16	13/32	3024788	U		5/8
3023653	C	3/4-18	13/32	3023712	G	3/4-16	1/2	3024789	V		13/32
3023654	C	7/8-18	1/2	3023713	G	7/8-14	5/8	* 231296	W		13/32
3023654	C	1- 1/16-16	5/8	3023714	G	1- 1/16-14	5/8	* 231297	W		13/32
3023655	C	5/8-18	13/32	3023682	H	5/8-18	13/32	* 231298	W		13/32
3023656	C	3/4-18	1/2	3027766	H	3/4-16	13/32	3027483	X		13/32
3023697	D	5/8-18	5/16	3023683	H	3/4-16	1/2				
3023698	D	3/4-16	13/32	3023684	H	7/8-14	5/8				
3023699	D	7/8-14	1/2	3023685	H	1- 1/16-14	5/8				
3023700	D	1- 1/16-14	5/8	3024536	J	5/8-18	5/16				
3023701	D	5/8-18	13/32	3023664	J	5/8-18	13/32				
3023709	D	3/4-16	1/2	3023665	J	3/4-16	1/2				
3023710	D	7/8-14	5/8	3023666	J	7/8-14	5/8				
				3023667	J	1- 1/16-14	5/8				

* FITTING ONLY

HOSE, CLAMP, O'RINGS

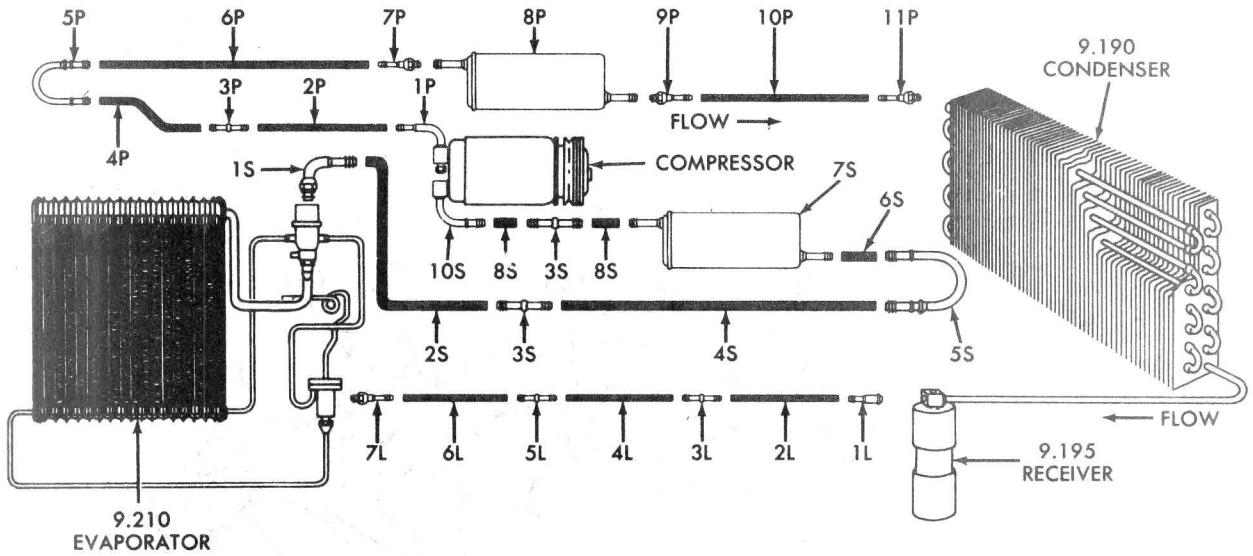
230882	Hose, Refrig.	(5/16" I.D. x 15')	8526398	O'Ring (3/8" I.D.)
230883	Hose, Refrig.	(13/32" I.D. x 15')	3140600	O'Ring (1/2" I.D.)
230884	Hose, Refrig.	(1/2" I.D. x 15')	3140748	O'Ring (5/8" I.D.)
230885	Hose, Refrig.	(5/8" I.D. x 15')	3140852	O'Ring (3/4" I.D.)
			5887997	O'Ring, Fitting to Comp.

3909030 Clamp, Adj. Hose (with Locator Tab)



1976 "A" AIR CONDITIONING ELECTRICAL AND COMPONENTS

1. CONTROL ASM.,A.C.	9.273
2. HARNESS ASM.,A.C.	9.276
3. SCREW,10-16 x 3/4"	8.977
4. CLIP,Harness	2.559
5. SWITCH,Ambient	9.275
6. CLIP,Harness	2.559
7. SCREW,10-16 x 1/2"	8.977
8. RELAY ASM.,A.C. Blower or Defogger	9.277
9. RELAY ASM.,Rear Window Defogger	9.777
10. SCREW,10-16 x 1/2"	8.977
11. BRACKET,Relay Mounting	9.275
12. CLIP,Harness	2.559
13. SCREW,10-16 x 1/2"	8.977
14. RELAY & JUNCTION BLOCK ASM.	2.815
15. FUSE ASM.,Thermal Limiter	9.172
16. HARNESS ASM.,A.C. Compressor	9.170
17. RECEIVER ASM.,W/Valve Evap. (V.I.R.)	9.195
18. RESISTOR ASM.,A.C. Blower	9.275
19. COMPRESSOR ASM.	9.170
20. HARNESS ASM.,A.C.	9.276
21. MOTOR ASM.,W/Fan	9.215
22. WIRE ASM.,A.C. Compressor	9.276



TYPICAL AIR CONDITIONING HOSE ROUTING

9.225 COMPRESSOR TO CONDENSER HOSE (HIGH PRESSURE)

ILLUSTRATION NO.		1P	2P	3P	4P	5P	6P	7P	8P	9P	10P	1S	10P	11P
Year	Series	Compressor Fitting	O.E.H. I.D. @	Splicer	Hose I.D.	U-Joint Fitting	O.E.H. I.D. @	Muffler Fitting	Muffler	Muffler Fitting	O.E.H.	P.O.A. Fitting	Hose I.D.	Condenser Fitting
64-65	F85	3023715	13/32 25"	3023687	13/32 6"	-	-	3023675	589034	3023675	-	-	13/32 20"	3023683
65	V6	3023715	13/32 15"	-	-	*13/32 10"	13/32 40"	3023658	589034	3023675	-	-	13/32 20"	3023683
66	F85	3023715	13/32 25"	3023687	13/32 6"	-	-	3023675	391211	-	-	-	-	-
67-70	F85	3023715	13/32 17"	-	-	-	-	-	-	3023720	-	13/32 11"	-	3023658
71-72	F-85 Type 1	3023715	13/32 16"	-	-	-	-	-	3023720	-	13/32 11"	-	-	3023658
	Type 2	-	-	-	-	-	-	-	231297	-	13/32 17"	-	-	3023658

Note - When replacing O.E.H., eliminate splicer 3P and use one piece hose.

*When replacing U-Joint with hose also order two splicers (3023687)

9.231 RECEIVER TO EXPANSION VALVE HOSE (LIQUID)

ILLUSTRATION NO.		1L	2L	3L	4L	5L	6L	7L
Year	Series	Receiver Fitting	Hose I.D. @	Splicer	O.E.H. I.D. @	Splicer	Hose I.D. @	Expansion Valve Fitting
64-65	F85	3023691	5/16 9"	3023686	5/16 11"	3023686	5/16 11"	3023674
66	L6	3023691	-	-	5/16 23"	-	-	3023674
66	F85 V8	3024791	5/16 18"	3023686	5/16 23"	-	-	3023674
67	L6	3023699	-	-	5/16 23"	-	-	3023674
67	F85 V8	3024791	5/16 18"	3023686	5/16 23"	-	-	3023674
68-70	F85	3024791	5/16 16"	3023686	5/16 26"	3023686	5/16 4"	3023697
71-72	F85	3024791	5/16 17"	3023686	5/16 26"	3023686	5/16 4"	3023697

@ = hose length

O.E.H. = Original Equipment Hose

When replacing O.E.H., eliminate splicer and use one piece

9.238 EVAPORATOR TO COMPRESSOR HOSE (SUCTION)

ILLUSTRATION NO.		1S	2S	3S	4S	5S	6S	7S	8S	9S		
Year	Series	Evaporator Fitting	Hose I.D. @	Splicer	O.E.H. I.D. @	U-Joint Fitting	Hose I.D.	Muffler	O.E.H. I.D. @	Splicer	Hose	Compressor Fitting
65	V6 (*1)	3025833	5/8 34"	3023689	5/8 17"	-	-	-	-	-	-	3023717
65	V6 (*2)	3023660	5/8 38"	3023689	5/8 18"	-	-	-	-	-	-	3023717
65	F85 V8 (*2)	3023660	5/8 4"	3023689	5/8 21"	3023719	-	-	5/8 15"	-	-	3023717
65	F85 V8 (*3)	3023654	-	-	5/8 17"	-	-	-	-	-	-	-
66-67	F85	3023660	5/8 4"	3023689	5/8 34"	-	-	-	-	-	-	3023717
68-70	F85	3023722	-	-	5/8 38"	-	-	-	-	-	-	3023717
71-72	F85	3023722	-	-	5/8 38"	-	-	-	-	-	-	*3023717

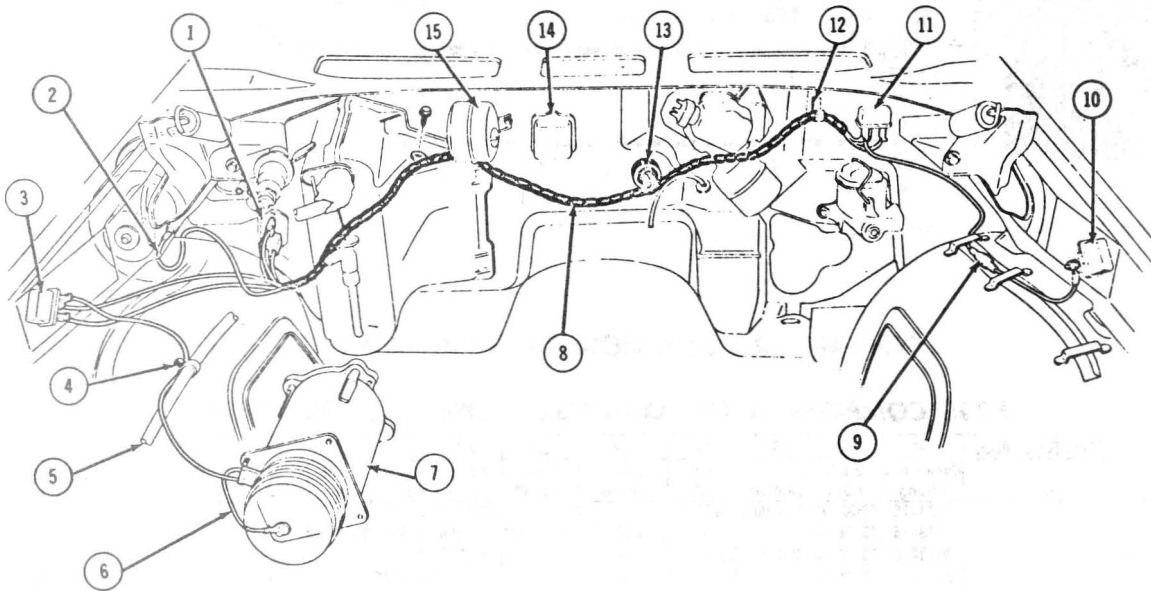
*If necessary, use 1/8" shim (prefer wheel alignment shim) on opposite side (discharge fitting) for proper alignment and torque of hose retention plate to insure a positive seal of "O" rings.

*1 - 1965 1st Type - use with suction throttle valve 5910492 or 5910545

*2 - 1965 2nd Type - use with suction throttle valve 5910508

*3 - 1965 1st Type - use with suction throttle valve 5910530 or 5910544

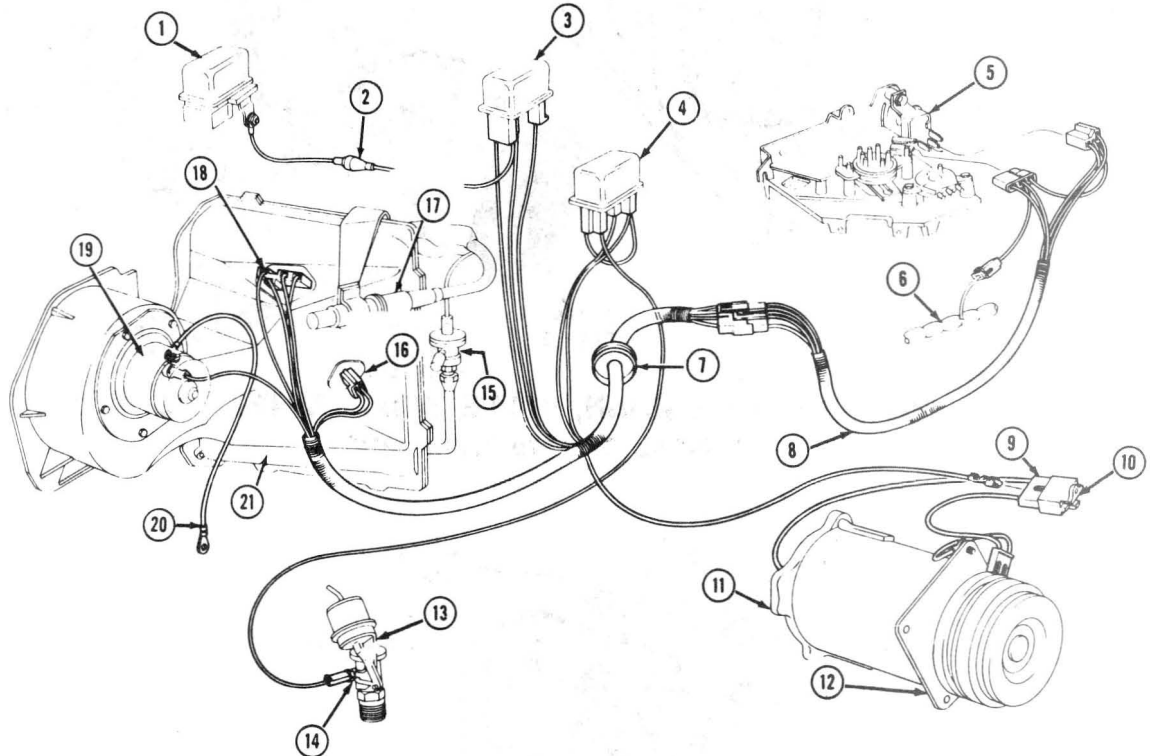
**Must also cutoff discharge hose fittings. Part # 3023721 block is for both discharge and suction hose.



**1969 F85 AIR CONDITIONING WIRING DIAGRAM
(TYPICAL OF 1970)**

Key	Description	Group
1	Resistor, Blower	9.275
2	Wire, Blower Feed	N.S.S.
3	Relay, Compressor Hold-In	9.277
4	Clip	9.242
5	Hose, Receiver to Evaporator	9.231
6	Ground Wire, Compressor Clutch	9.276
7	Compressor	9.170
8	Harness Assembly	9.276

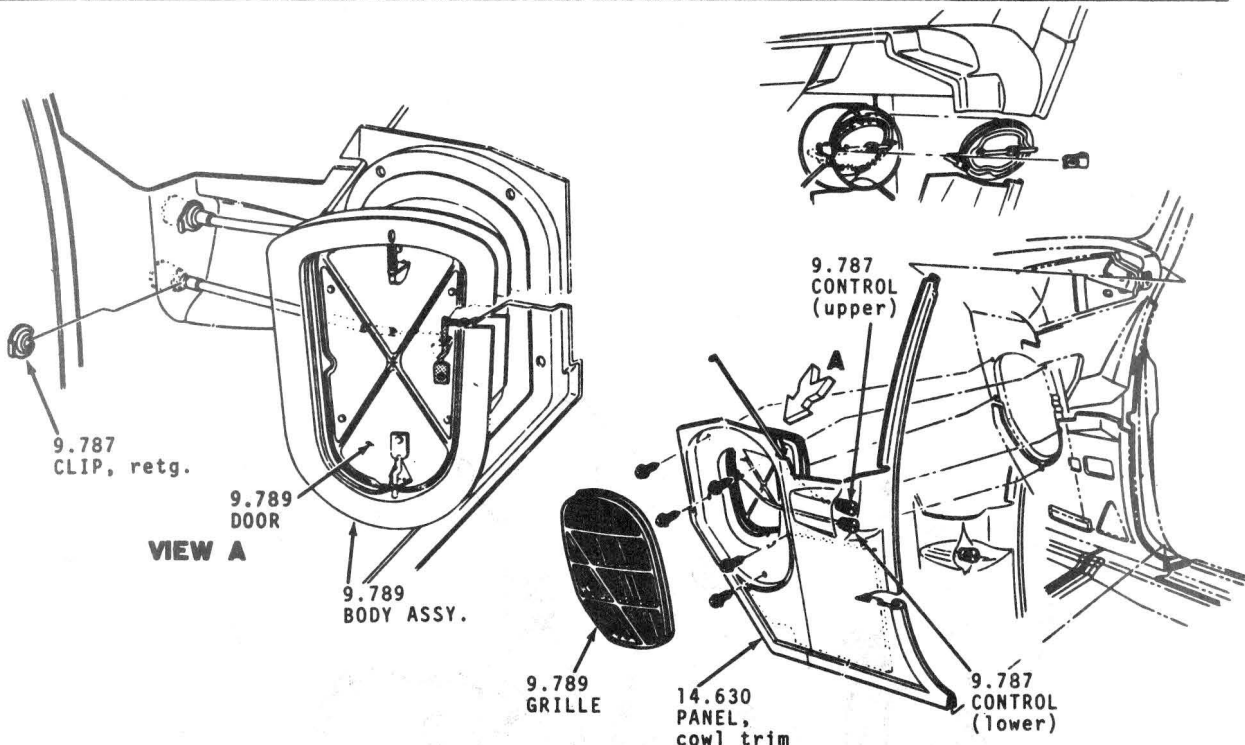
Key	Description	Group
9	Fusible Link Pkg.	2.480
10	Junction Block, Horn Relay and Battery Cable	2.815
11	Relay, Blower	9.277
12	Clip	N.L.
13	Grommet Wiring	9.775
14	Regulator	2.500
15	Tank, Vacuum	9.281



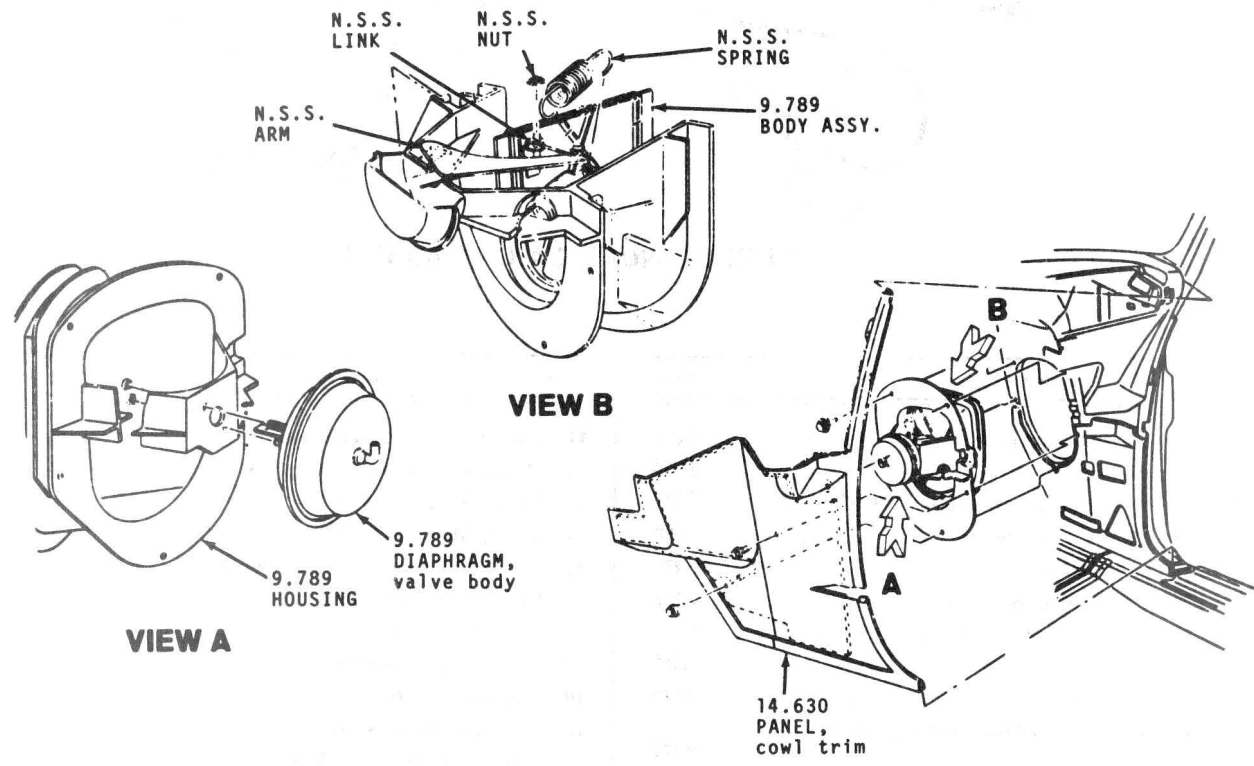
1971-72 MANUAL C.A.C. (C-60 OPT.)

Key	Description	Group
1	Block, Horn Relay and Junction	2.815
2	Wire, Fusible — 50 Foot Roll	2.530
3	Relay, Air Conditioning Compressor — Hold In	9.277
4	Relay, Air Conditioning Blower	9.277
5	Control, Air Conditioning	9.273
6	Harness, Air Conditioning Wiring	9.276
7	Grommet, Wiring Harness Hole	9.775
8	Harness Assembly, Heater	8.852
9	Switch Kit, Super Heat	9.172
10	Fuse Assembly, Air Conditioning Compressor Thermal Limiter	9.172

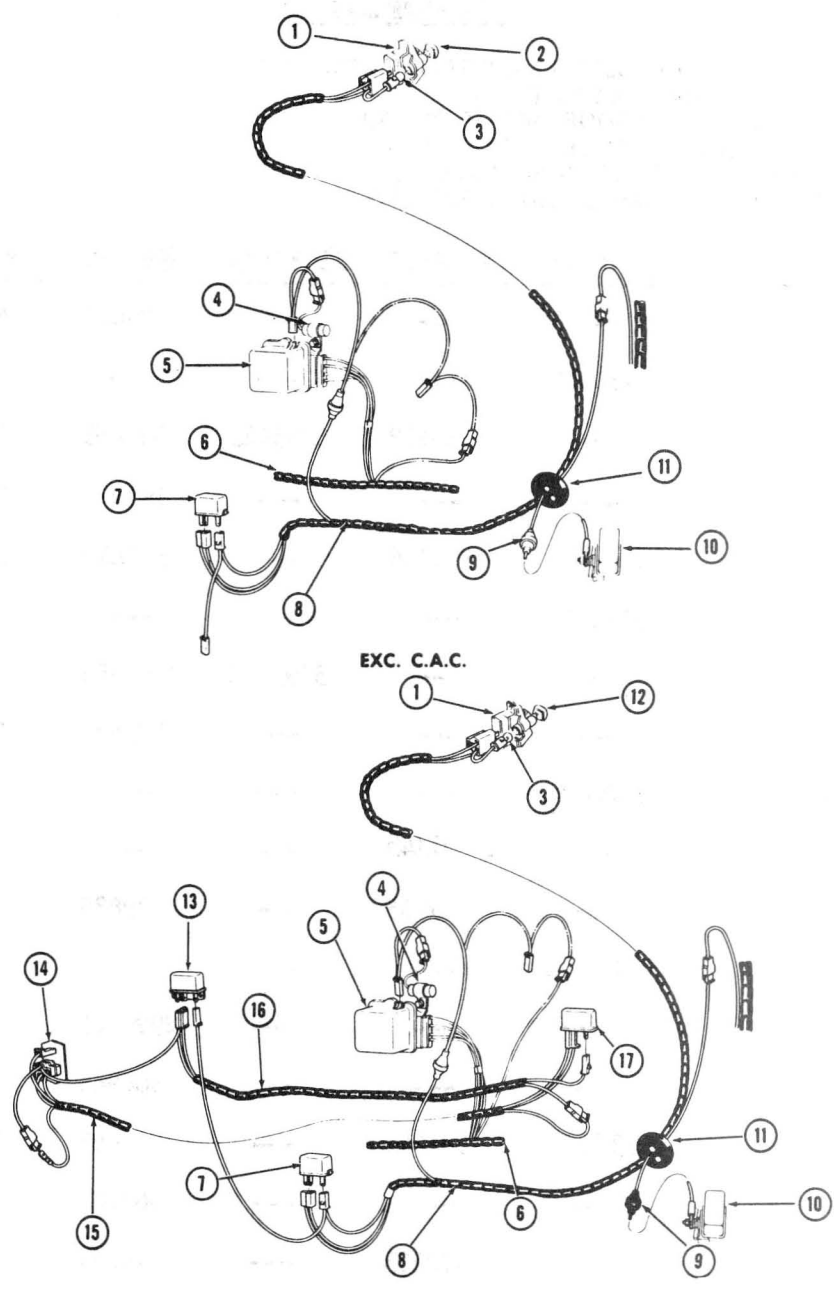
Key	Description	Group
11	Compressor, Air Conditioning	9.170
12	Clutch, Air Conditioner Compressor	N.L.
13	Switch, Air Conditioning	9.275
14	Switch, Air Conditioning	9.275
15	Valve, Air Conditioning Refrigerant Expansion	9.213
16	Switch, Air Conditioning	9.275
17	Valve, Air Conditioning Suction Throttle	9.198
18	Resistor, Air Conditioning Blower	9.275
19	Motor, Heater Blower	8.855
20	Wire, Evaporator Motor Ground	9.276
21	Case, Air Conditioning Evaporator	9.211



1969 F 85 OUTSIDE AIR VENTILATION, VALVE BODY, PANEL & GRILLE PARTS
(TYPICAL OF 1970 THRU 1972)



1969 F-85 AIR CONDITIONING VENT PARTS
(TYPICAL OF 1970 THRU 1972)



WITH C.A.C.
1971 REAR WINDOW DEFOGGER WIRING SCHEMATIC

Key	Description	Group
1	Switch, Rear Window Defroster	9.778
2	Knob Assembly, Rear Window Defroster Blower Switch ..	9.778
3	Bulb — #1445	8.991
4	Condenser and Bracket, Alternator Regulator	2.500
5	Regulator, Voltage	2.500
6	Harness, Front Extension — Forward Lamp	2.480
7	Relay, Electric Rear Window Defogger	9.778
8	Harness, Rear Window Defroster	9.778
9	Wire, Air Conditioning Harness Repair	9.276

Key	Description	Group
10	Block, Horn Relay and Junction	2.815
11	Grommet, Wiring Harness Hole	9.775
12	Knob Assembly, Rear Window Defroster Blower Switch ...	9.778
13	Relay, Air Conditioning Blower	9.277
14	Resistor, Air Conditioning Blower	9.275
15	Harness, Air Conditioning Wiring	9.276
16	Harness, Rear Window Defroster—Relay Jumper	9.778
17	Relay, Air Conditioning Blower	9.277



1964 ANTENNAE UNITS

CANADIAN JOBS - MANUAL - 992292 / SUP 5739215 - 992179 /
 AMERICAN JOBS - MANUAL - 982398 (N.L.A.)
 AMERICAN JOBS - POWER - 2 DOOR - 982419 (N.L.A.)
 AMERICAN JOBS - POWER - 4 DOOR - 982420 (N.L.A.)
 ALL STATION WAGONS - POWER - 982418 (N.L.A.)
 NOTE - COMPONENTS OF 992179 AND 992292 N.S.S.

COMPONENTS	%5739215	%982398	%5735433	%982419	%982420	%982418
ANTENNA	---	---	---	589640	589639	589581
BEZEL	5735319	---	---	---	---	---
BRACKET, Lead-in	---	589453	5735413	589453	589453	589453
BRACKET, To Panel	---	---	---	385027	385027	388098
CABLE, Lead-in	3390293	384356	---	581410	581410	589582
CAP, Bezel	5731018	---	---	---	---	---
CLIP, Tube	---	---	3793858	3793858	3793858	3793858
ESCUTCHEON	---	---	---	589537	589537	589537
GASKET, Bezel	3820672	---	---	---	---	---
GASKET, Lead-in	---	1350343	---	---	---	---
GASKET, Spacer	---	589455	---	579835	579835	589585
GROMMET, Lead-in	3390299	---	---	---	---	---
HARNES	---	---	---	2986205	2986205	2986206
KNOB, Switch	---	---	---	588968	588968	588968
MAST	5738992	587071	---	385081	385081	581671
MOTOR & DRIVE ASSY.	---	---	---	385082	385082	382589
NUT, Cap	---	572333	---	579837	579837	579837
NUT, To Fender	5730981	384359	---	---	---	---
RING, Ground	5730428	---	---	---	---	---
SEAL	---	---	3820946	---	---	---
SPACER, Lower	---	384358	---	---	---	---
SPACER, Upper	---	384357	---	589645	---	589584
SWITCH	---	---	---	588939	588939	588939
TUBE, Retainer	---	---	5730531	---	---	---
TUBE, Support	---	---	---	385079	385080	385078

% UNIT NO LONGER AVAILABLE - SERVICED BY COMPONENT PARTS



1965 ANTENNAE UNITS

CANADIAN JOBS - MANUAL - 992292 / SUP 5739215 - 992179 /
 AMERICAN JOBS - MANUAL - 982398 (N.L.A.)
 AMERICAN JOBS - POWER - 2 DOOR - 982419 (N.L.A.)
 AMERICAN JOBS - POWER - 4 DOOR - 982420 (N.L.A.)
 ALL STATION WAGONS - POWER - 982418 (N.L.A.)
 ALL EXC. STATION WAGONS - POWER - 982482 (N.L.A.)
 NOTE - COMPONENTS OF 992179 AND 992292 N.S.S.

COMPONENTS	%5739215	%982398	%982419	%982420	%982418	%982482
ANTENNA	---	---	589640	589639	589639	---
BEZEL	5735319	---	---	---	---	---
BODY	5738993	---	---	---	---	---
BRACKET, Lead-in	---	589453	589453	589453	589453	---
BRACKET, To Panel	---	---	385027	385027	388098	388096
CABLE, Lead-in	3390293	384356	581410	581410	589582	581410
CAP, Bezel	5731018	---	---	---	---	---
ESCUTCHEON	---	---	589537	589537	589537	589537
GASKET, Bezel	3820672	---	---	---	---	---
GASKET, Lead-in	---	1350343	---	---	---	---
GASKET, Spacer	---	589455	579835	579835	589585	579835
GROMMET, Lead-in	3390299	---	---	---	---	---
HARNESS	---	---	---	---	2988045	2988044
KNOB, Switch	---	---	588968	588968	---	387461
MAST	5738992	587071	385081	385081	---	385081
MOTOR & DRIVE ASSY.	---	---	385082	385082	382589	385082
NUT, Cap	---	572333	579837	579837	579837	579837
NUT, Switch	---	---	588427	588427	588427	588427
NUT, To Fender	5730981	384359	---	---	---	---
RING, Ground	5730428	---	---	---	---	---
SPACER, Lower	---	384358	---	---	---	---
SPACER, Upper	---	384357	589645	589641	589584	589645
SWITCH	---	---	588939	588939	588939	588939
TUBE, Support	---	---	385079	---	---	385079

% UNIT NO LONGER AVAILABLE - SERVICED BY COMPONENT PARTS



1966 ANTENNAE UNITS

CANADIAN JOBS - MANUAL - 992292 / SUP 5739215 - 992179 /
AMERICAN JOBS - MANUAL - 992292 / SUP 982711 /
ALL EXC. STATION WAGONS - POWER - 992292 / SUP 982712 /
ALL STATION WAGONS - POWER - PKG. NOT RELEASED - ORDER COMPONENTS -
NOTE - COMPONENTS OF 992179 AND 992292 N.S.S.

Table with 5 columns: COMPONENTS, %5739215, 982711, %982712, ST. WAG. Rows include ANTENNA, BEZEL, BODY, BRACKET, CABLE, CAP, CLIP, ESCUTCHEON, FUSE PACKAGE, GASKET, GROMMET, HARNESS, MAST, MOTOR & DRIVE ASSEMBLY, NUT, RING, SPACER, STRAP, SWITCH, TUBE.

1967 ANTENNAE UNITS

ALL - MANUAL - 992292 / SUP 982821 /
 ALL EXC. STATION WAGONS - MANUAL - 992292 / SUP 982822 POWER /
 ALL STATION WAGONS - POWER - PKG. NOT RELEASED - ORDER COMPONENTS -
 NOTE - COMPONENTS OF 992292 N.S.S.

<u>COMPONENTS</u>	<u>982821</u>	<u>982822</u>	<u>ST. WAG.</u>
ANTENNA	---	390822	390850
BRACKET, Lead-in	589453	---	---
BRACKET, To Panel	---	388096	390852
CABLE	---	2989427	---
CABLE, Lead-in	395859 @	581410	589582
CLIP, Lead-in to Body	---	581084	---
ESCUTCHEON, Switch	---	394266	---
FUSE PACKAGE	---	5727341	---
GASKET, Lead-in to underside of Fender	1350343	---	---
GASKET, Spacer	589455	579835	390853
HARNESS	---	---	2989430
MAST	589724	385081	390854
MOTOR & DRIVE ASSEMBLY	---	385082	382589
NUT, Cap	402255	579837	579837
NUT, To Fender	554422	---	---
SPACER, Lower	384358	---	---
SPACER, Upper	395860	390823	390851
STRAP, Retaining harness	---	3816659	---
SWITCH, Control	---	394267	---
TUBE, Support	---	390824	390855

NOTE

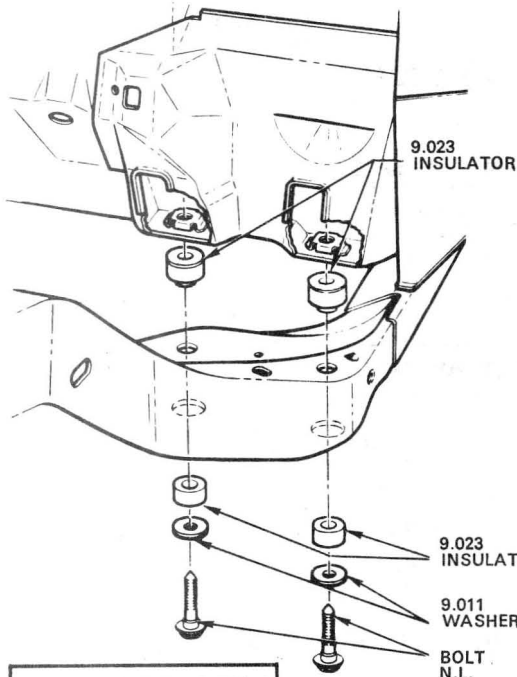
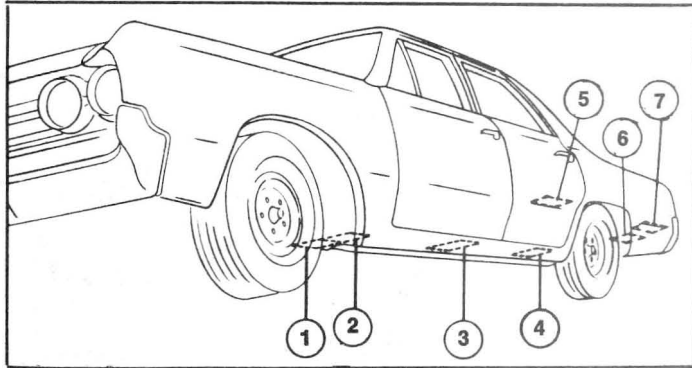
@ Includes Antenna Base



1968-69 ANTENNAE UNITS

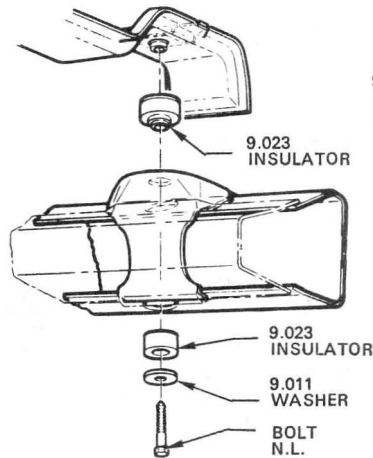
1968 - MANUAL - 992292 / SUP 982965 /
 1968 / 39-67-69 - MANUAL - 992292 / SUP 982966 ELECTRIC /
 1968 / 77-87 / - MANUAL - 992292 / SUP 982967 ELECTRIC /
 1969-70 - MANUAL - 992292 / SUP 983070 - 992179
 1969 / 39-67-69 / - 992292 / SUP 983078 /
NOTE - COMPONENTS OF 992179 AND 992292 N.S.S.

<u>COMPONENTS</u>	<u>982965</u>	<u>982966</u>	<u>982967</u>	<u>983070</u>	<u>983078</u>	<u>983079</u>
ANTENNA	---	399956	399955	---	399956	399955
CABLE	---	6295704	6295704	---	6295704	6295704
CABLE, Lead-in	402254	581410	581410	402254	581410	581410
CLIP, Lead-in To Body	---	581084	581084	---	581084	581084
CLIP, To Instrument Panel	4553267	588036	588036	4553267	588036	588036
FUSE PACKAGE	---	5727341	5727341	---	---	---
GASKET, Antenna Spacer	589455	400021	400020	589455	400021	400020
MAST	402253	385081	385081	402253	385081	385081
MOTOR & DRIVE ASSEMBLY	---	387516	387516	---	387516	387516
NUT, Cap	402255	579837	579837	402255	579837	579837
NUT, To Fender	554422	---	---	554422	---	---
SPACER, Lower	398631	---	---	398631	---	---
SPACER, Upper	398630	400018	400017	398630	400018	400017
STRAP, Wires To Instrument Panel	---	3816659	3816659	---	3816659	3816659
SUPPORT, Antenna Lower	---	399958	399958	---	399958	399958
SWITCH, Control	---	386603	386603	---	404356	404356
TUBE ASSEMBLY	---	230556	230555	---	---	---

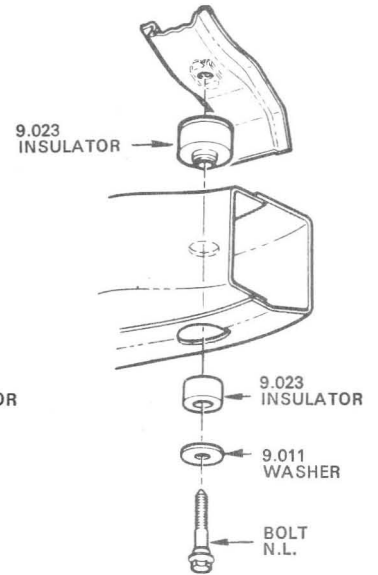


NO. 1 BOLT POSITION

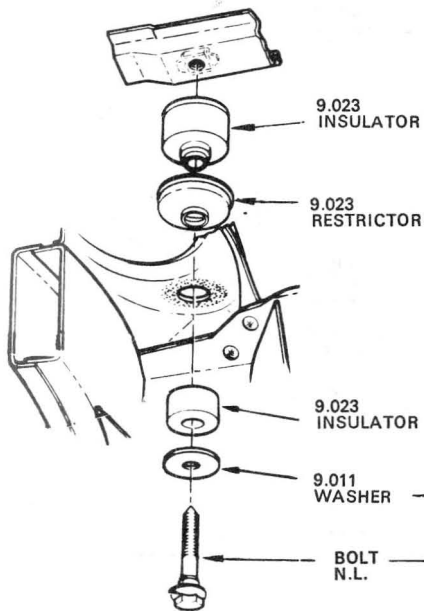
NO. 2 BOLT POSITION



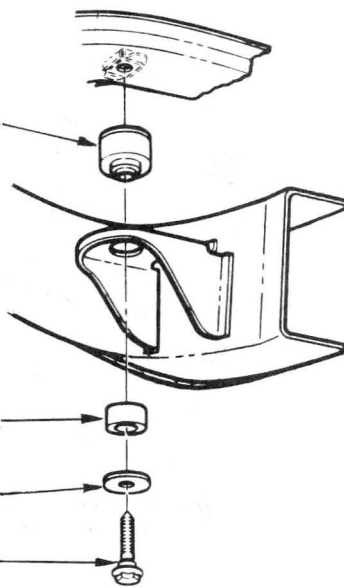
NO. 3 BOLT POSITION



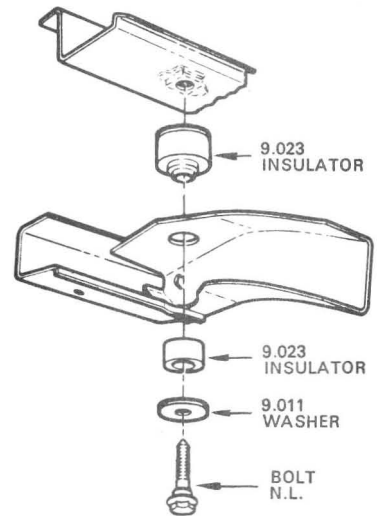
**NO. 4 BOLT POSITION
 CONVERTIBLE ONLY**



NO. 5 BOLT POSITION

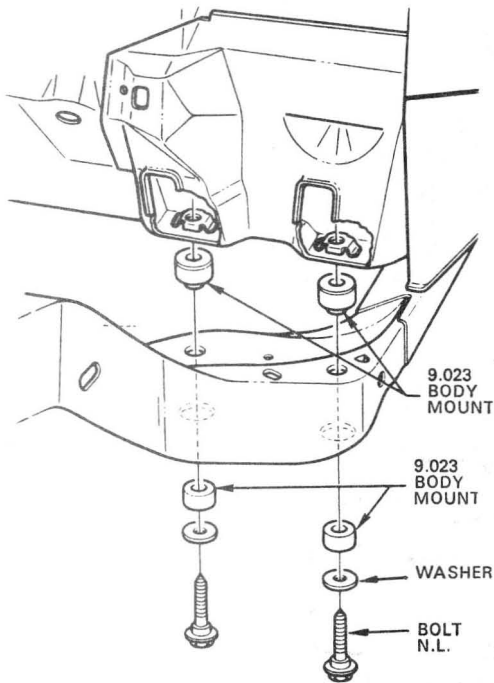


NO. 6 BOLT POSITION



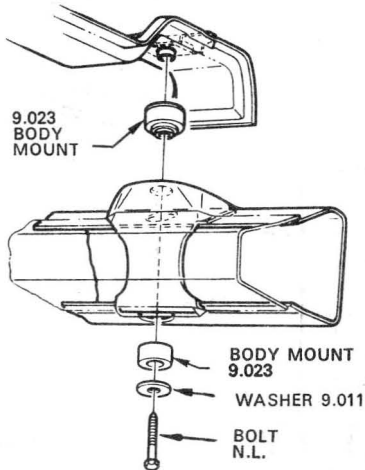
NO. 7 BOLT POSITION

1964 BODY TO FRAME MOUNTING DETAILS

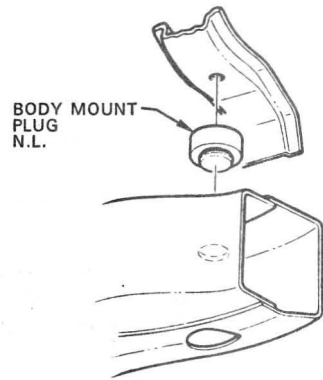


NO. 1 BOLT POSITION

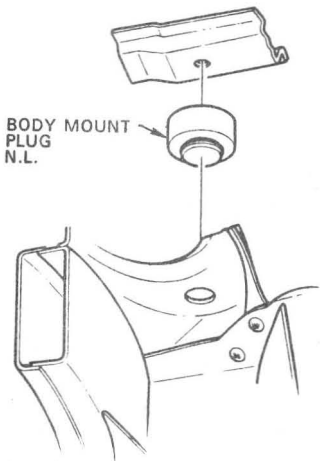
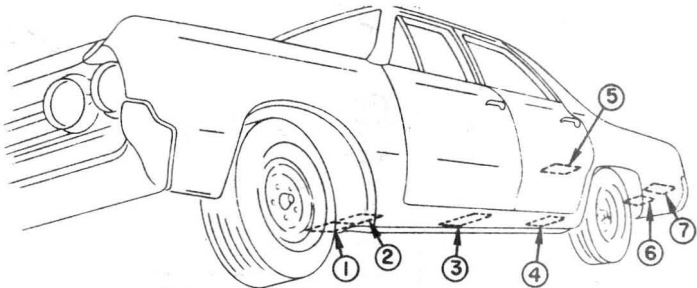
NO. 2 BOLT POSITION



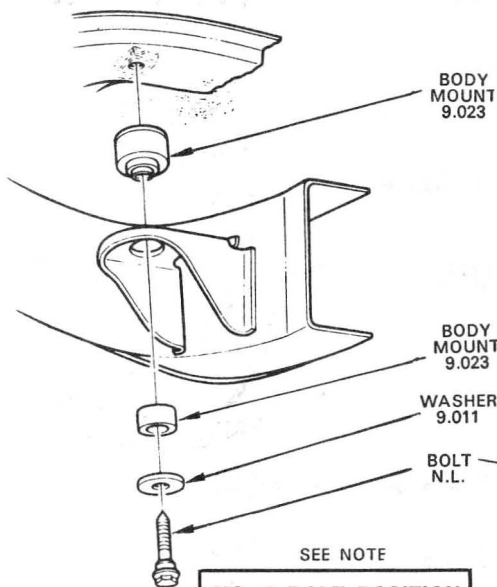
NO. 3 BOLT POSITION



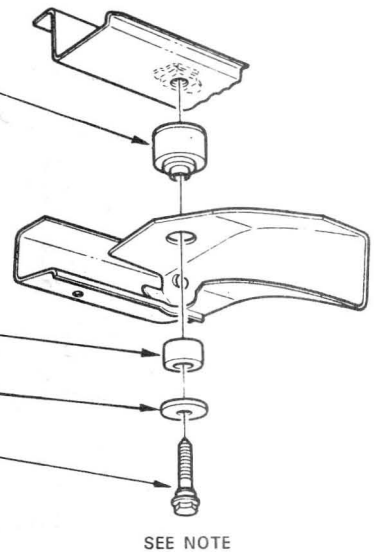
NO. 4 BOLT POSITION



NO. 5 BOLT POSITION



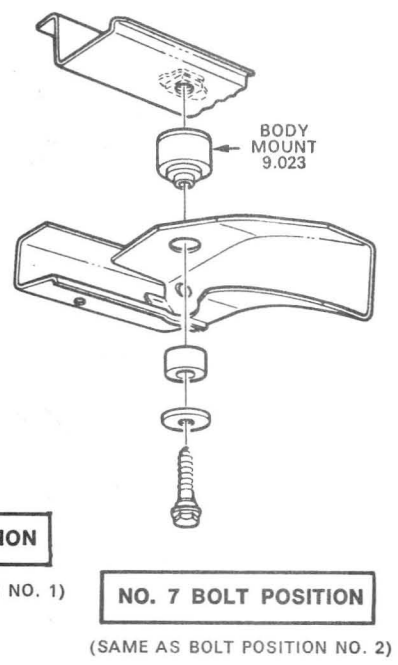
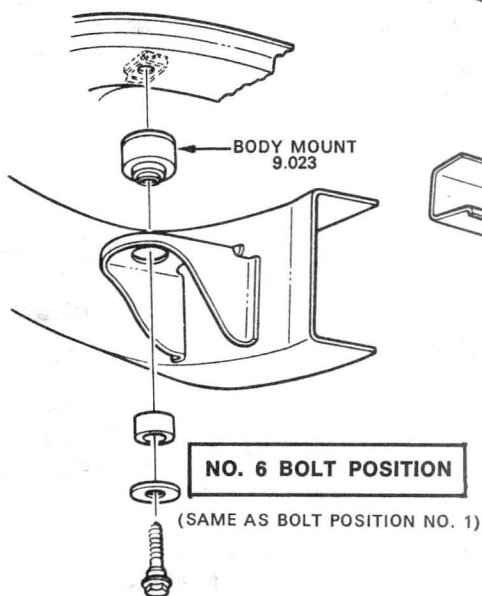
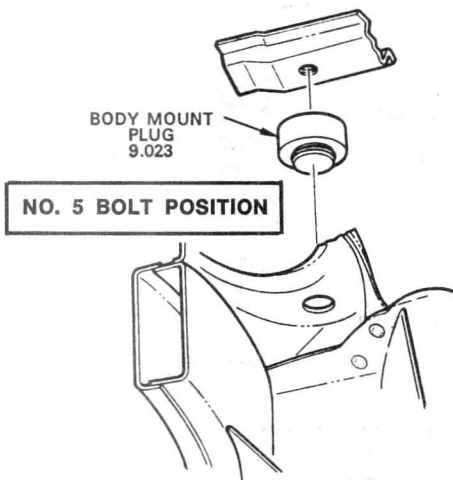
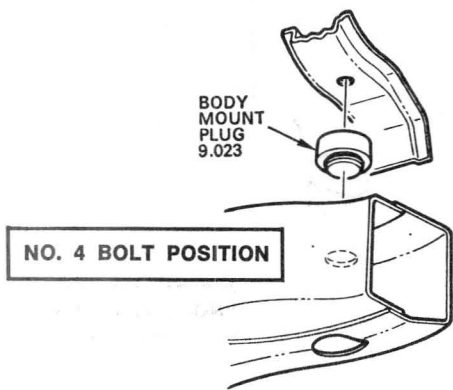
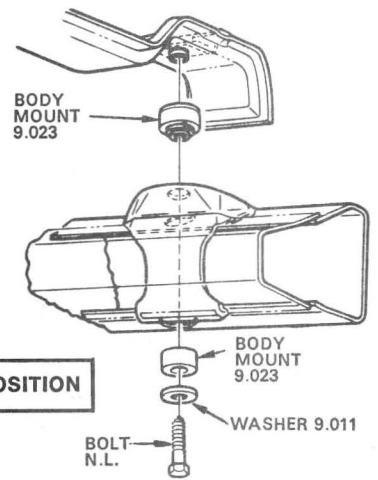
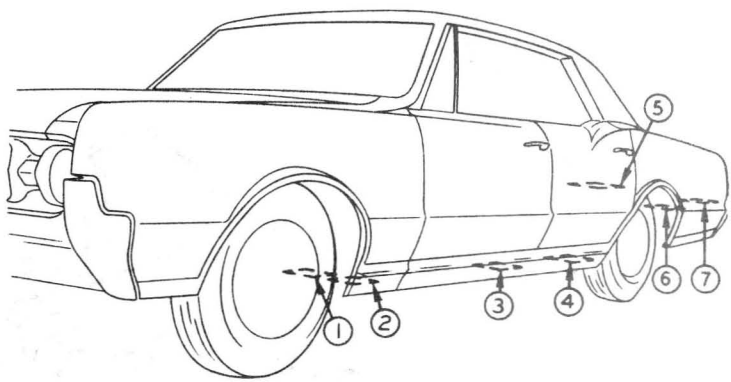
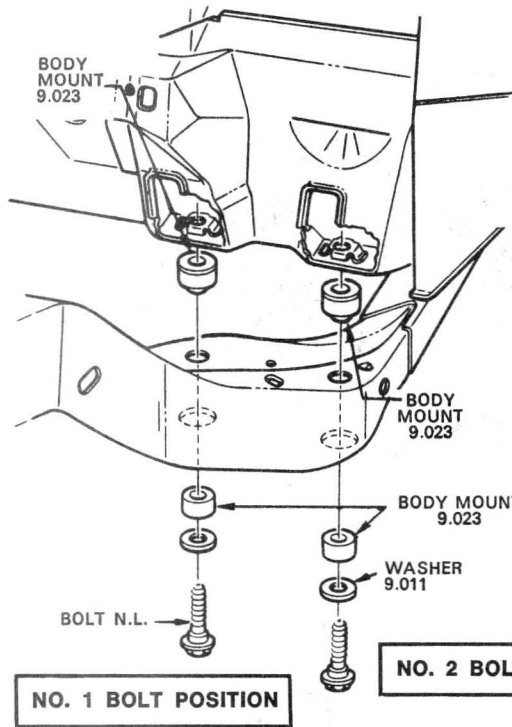
NO. 6 BOLT POSITION



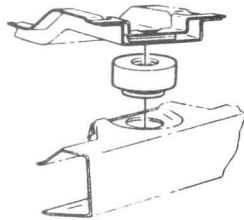
NO. 7 BOLT POSITION

NOTE:
ATTACHING PARTS FOR
BOLT POSITIONS NO. 6
& NO. 7 SAME AS
SHOWN FOR NO. 1 &
NO. 2 BOLT POSITIONS
EXCEPT AS SHOWN.

1965-66 BODY TO FRAME MOUNTING DETAILS

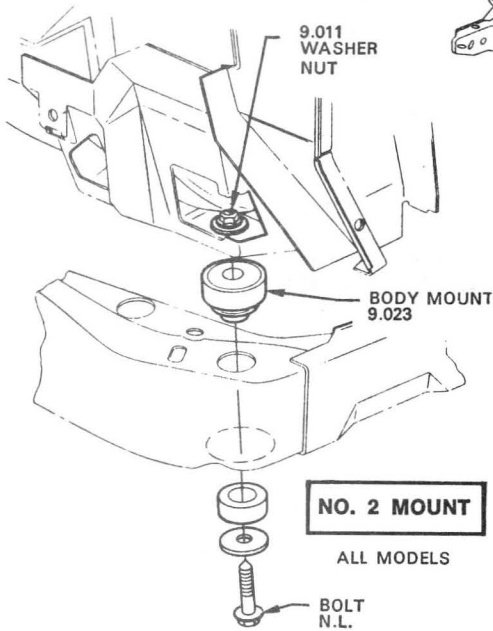
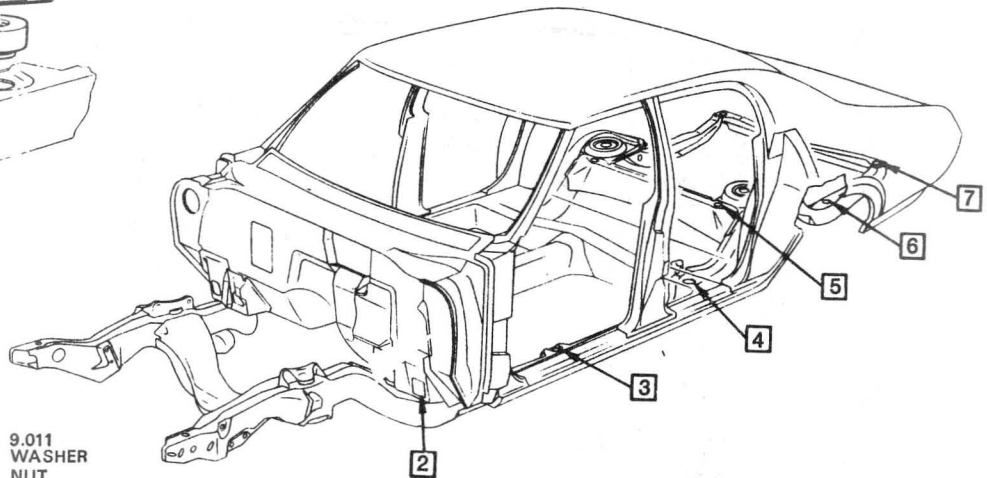


1967 BODY TO FRAME MOUNTING DETAILS



NO. 3 MOUNT

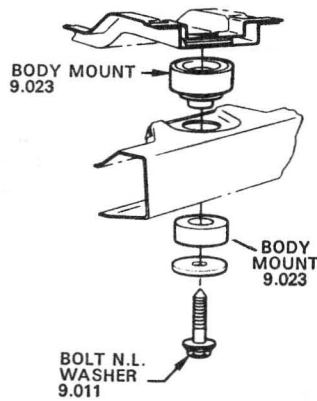
(COUPE ONLY)
SAME AS NO. 4



NO. 2 MOUNT

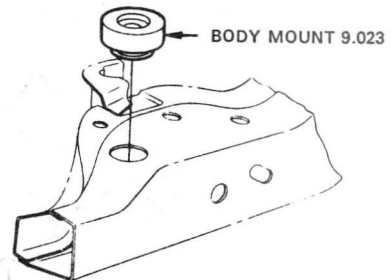
ALL MODELS

BOLT N.L.

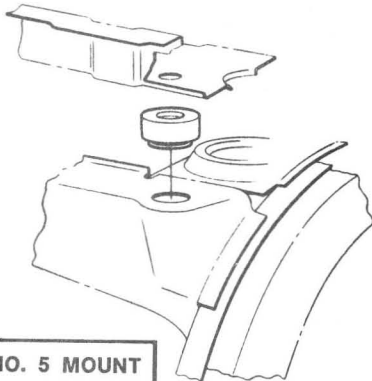


NO. 3 MOUNT

(EXC. COUPES)

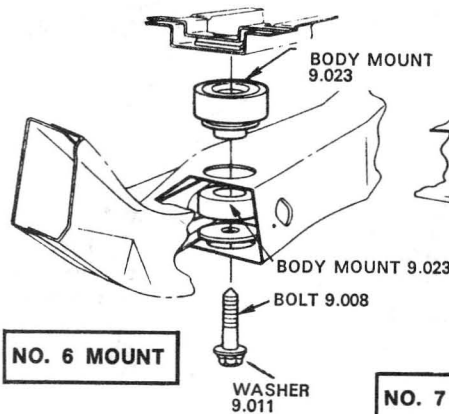


NO. 4 MOUNT



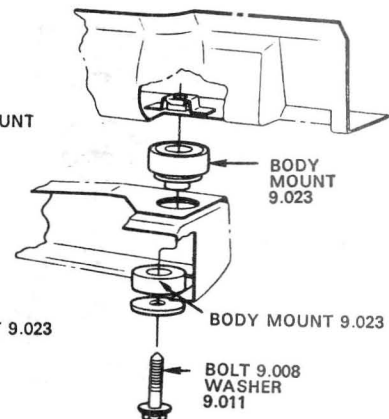
NO. 5 MOUNT

SAME AS NO. 4



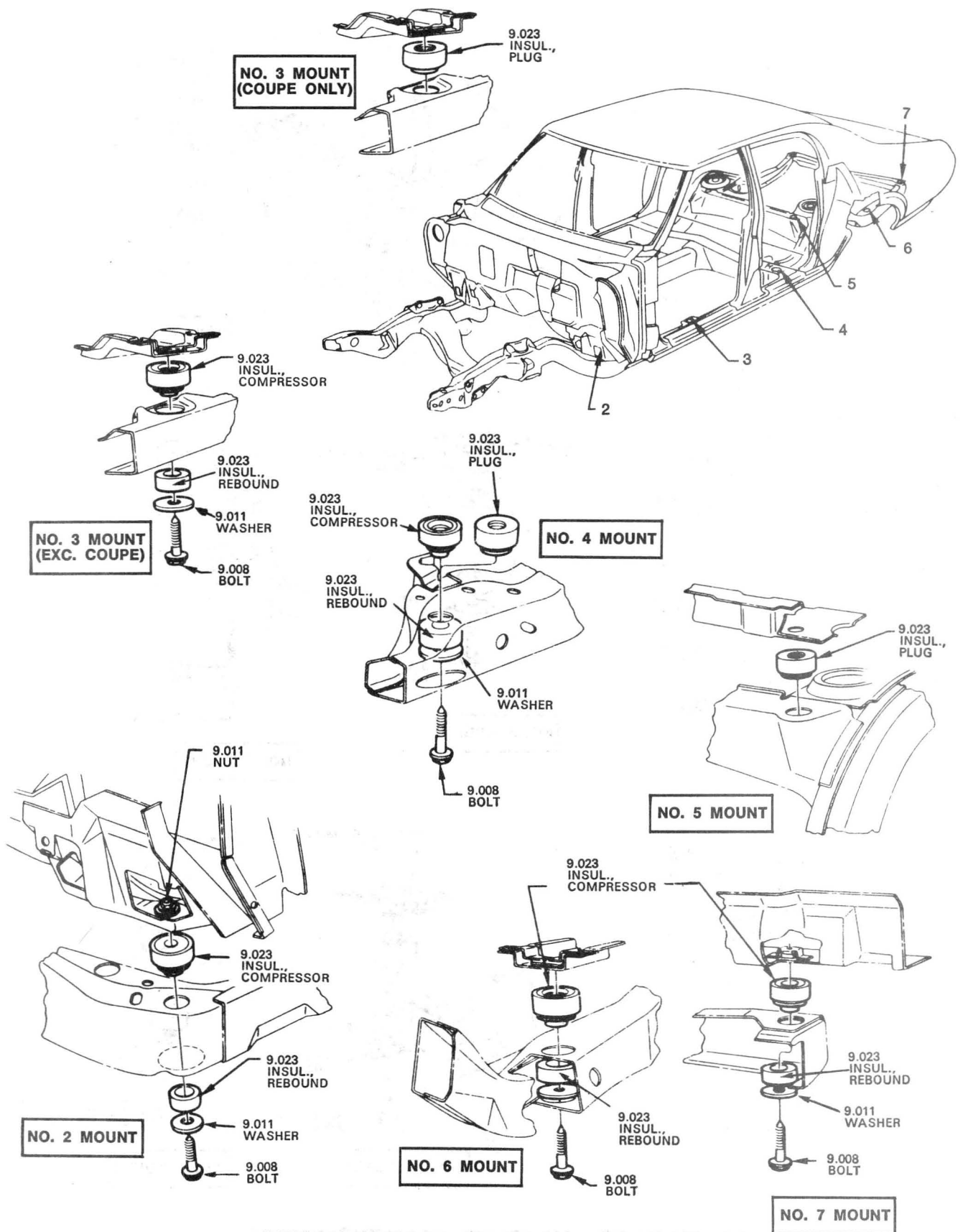
NO. 6 MOUNT

WASHER 9.011

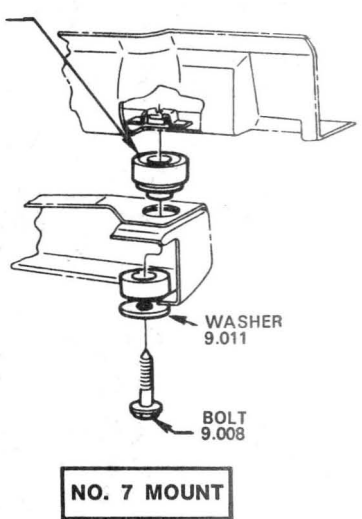
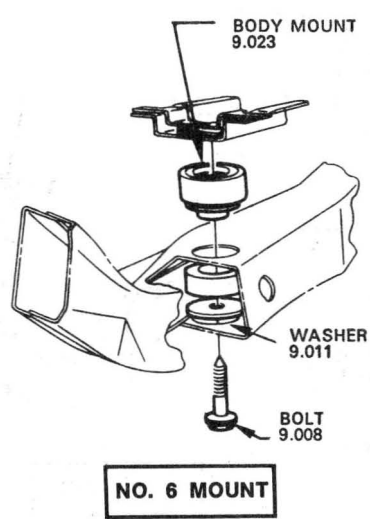
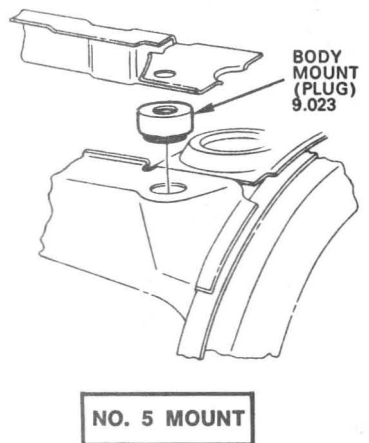
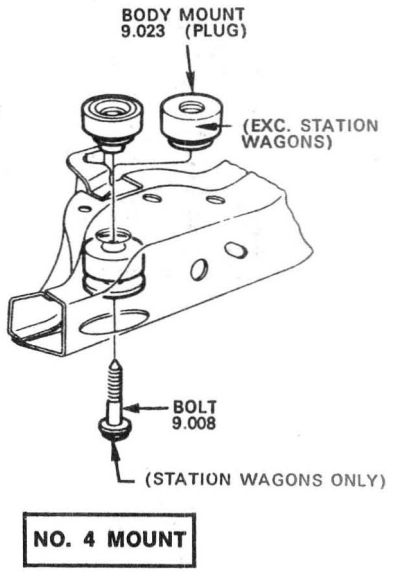
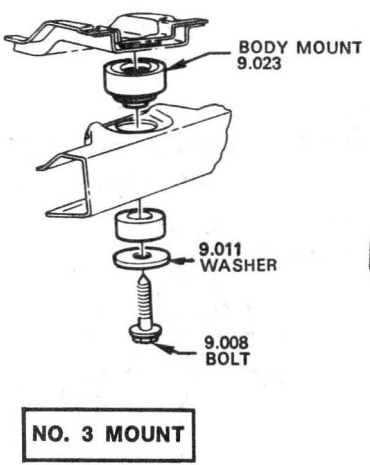
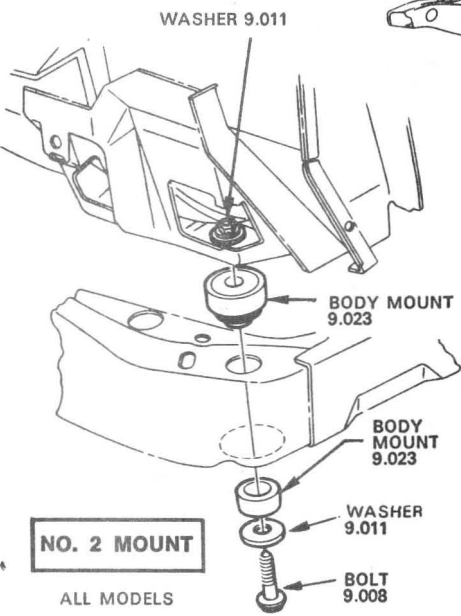
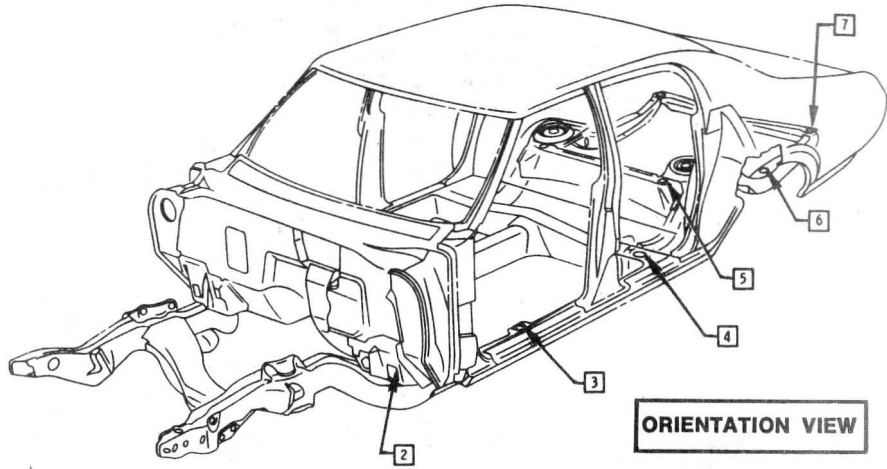


NO. 7 MOUNT

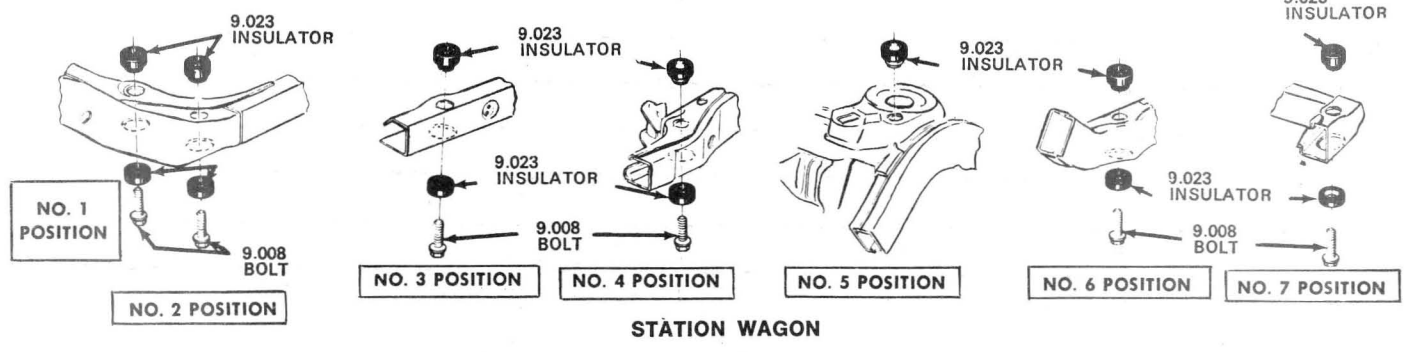
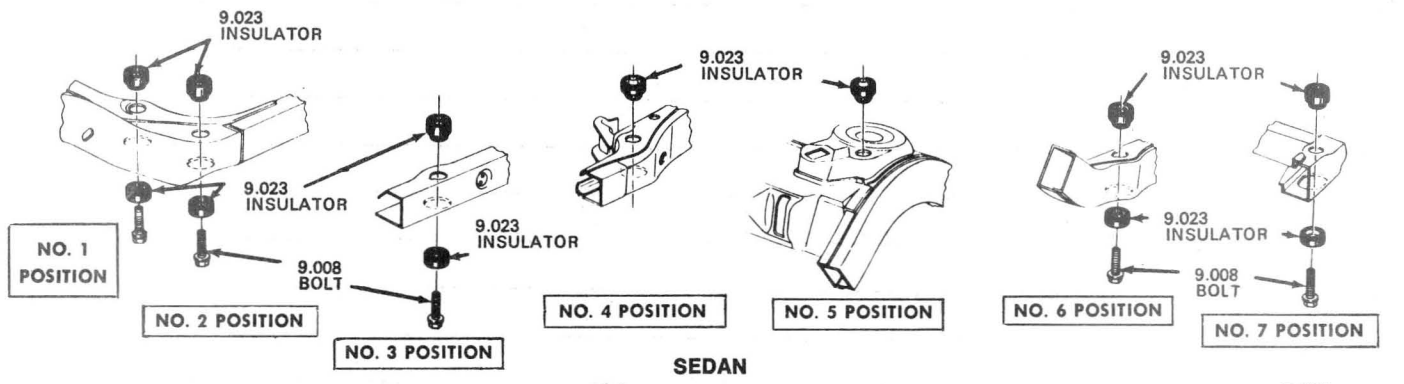
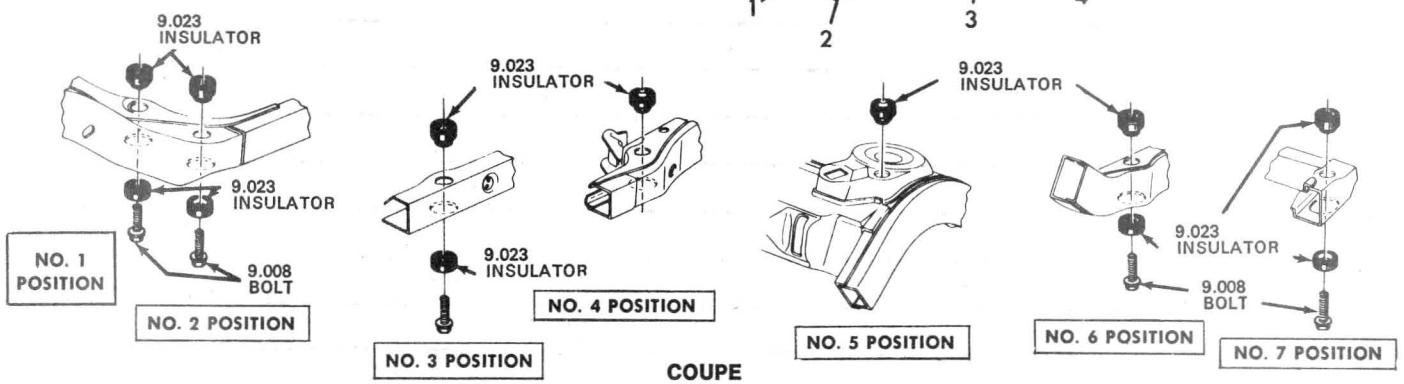
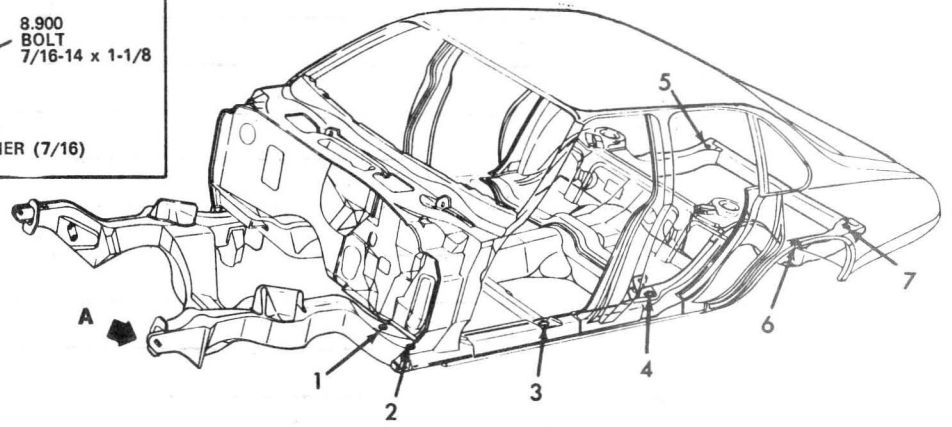
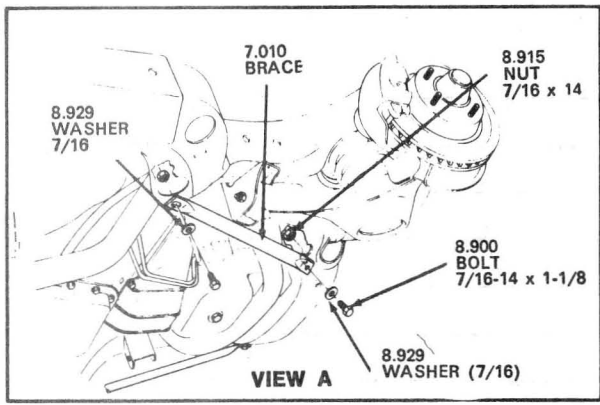
1968-69 BODY TO FRAME MOUNTING DETAILS



1970-71 BODY TO FRAME MOUNTING DETAILS



1972 BODY TO FRAME MOUNTING DETAILS



1973-74 BODY MOUNTING DETAILS

